



WINE PEGS

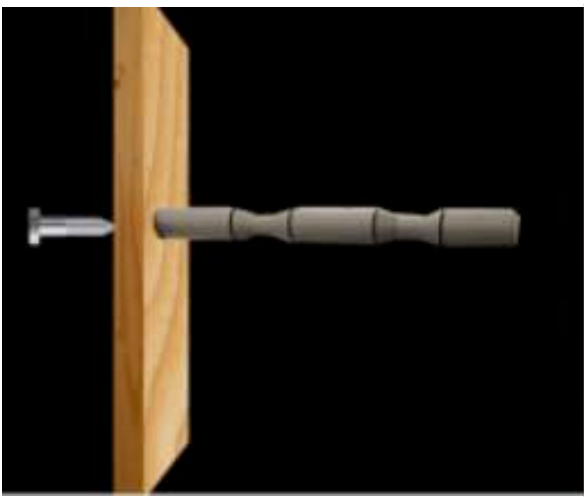
Installation Instruction

INSTALLATION METHOD A: WINE PEGS WITH SUPPORT BOARD

INSTALLATION METHOD B: WINE PEGS DIRECTLY ON THE WALL

A. INSTALL WINE PEGS TO THE WOOD BOARD THEN FIX IT ON THE WALL

1. To the wood board



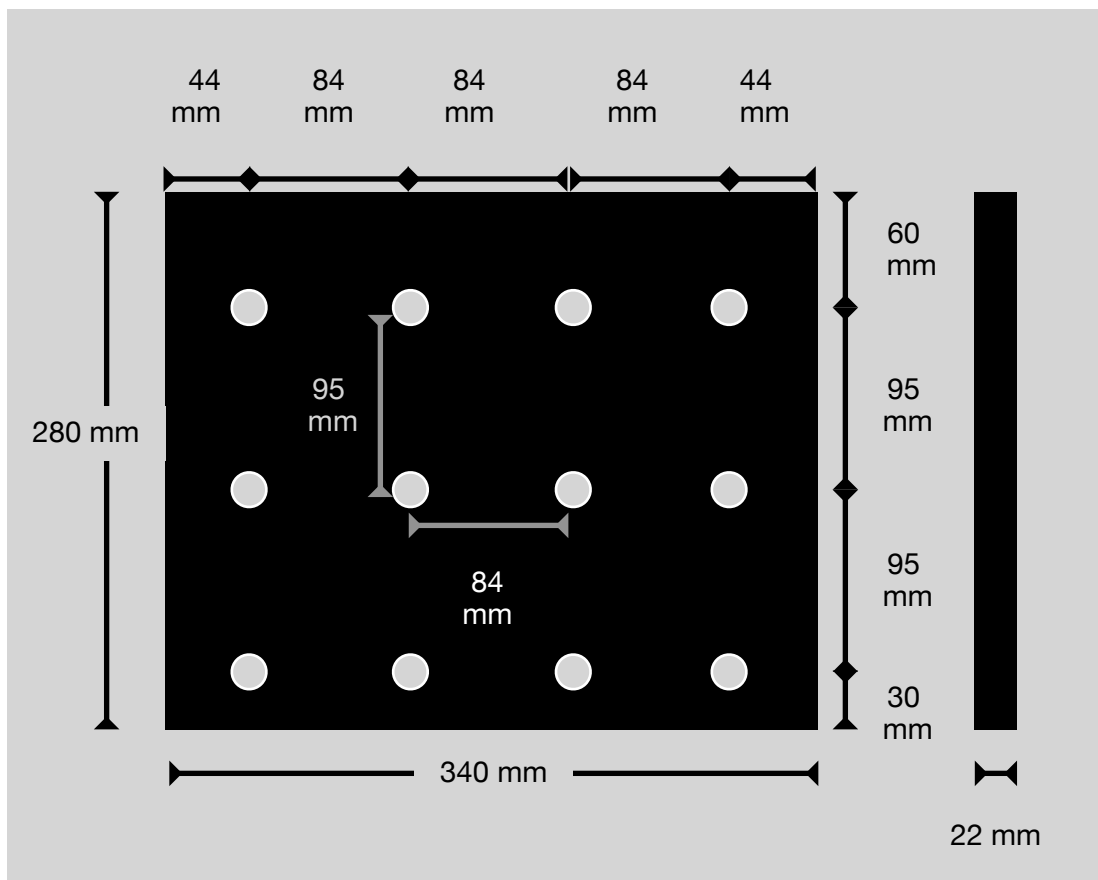
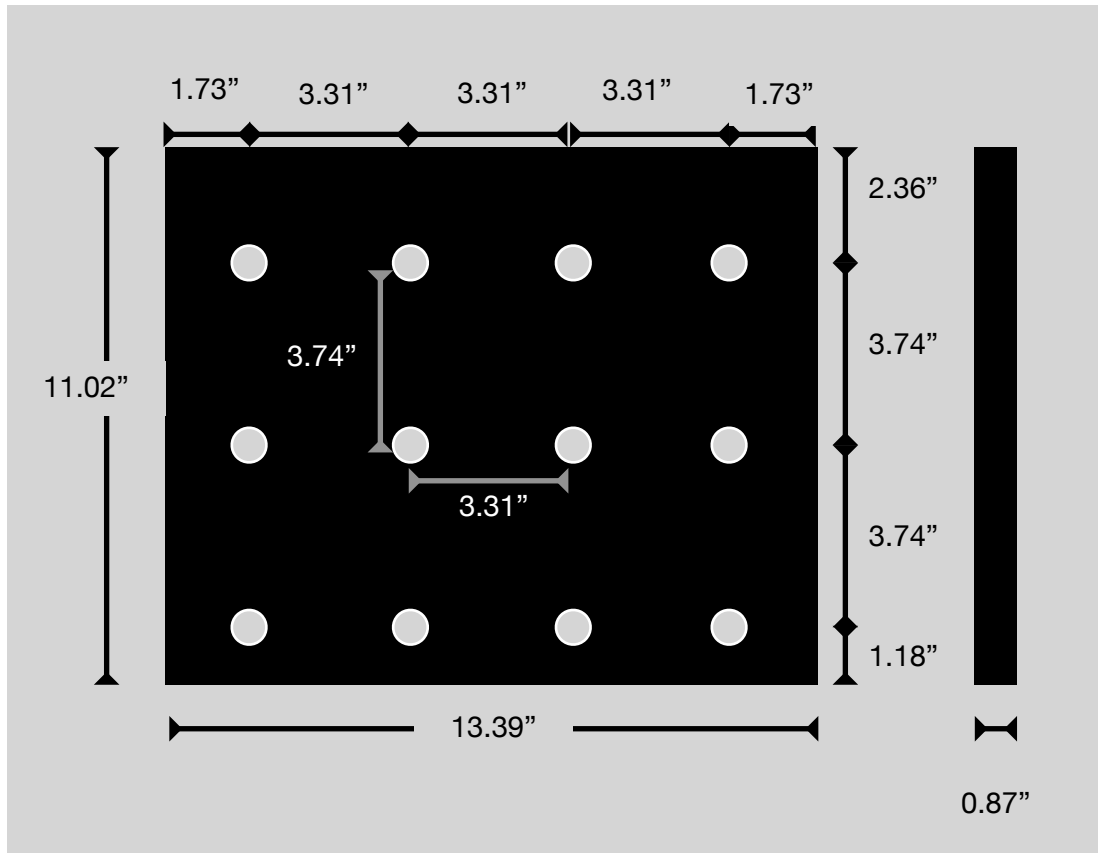
Connector Bolt M6X30MM
Size: 6*30mm
Install the pegs from the back of the support board.

Hanger Bolt M6X50MM
Size: 6*50mm
Install the pegs from the front of the support board.

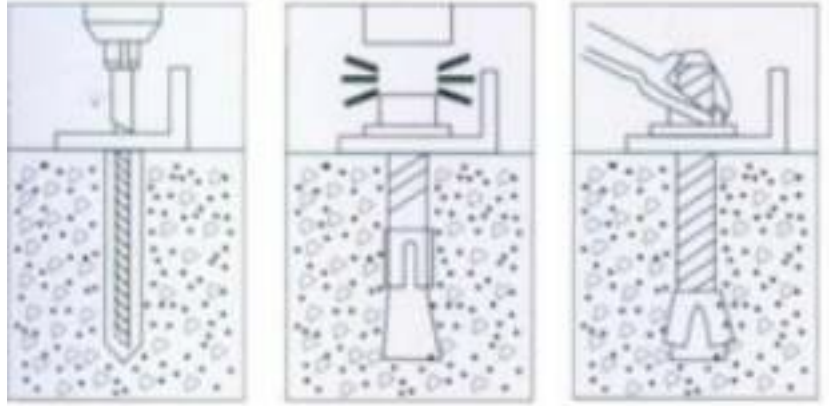
2. To the wall



SUPPORT BOARD DIMENSIONS



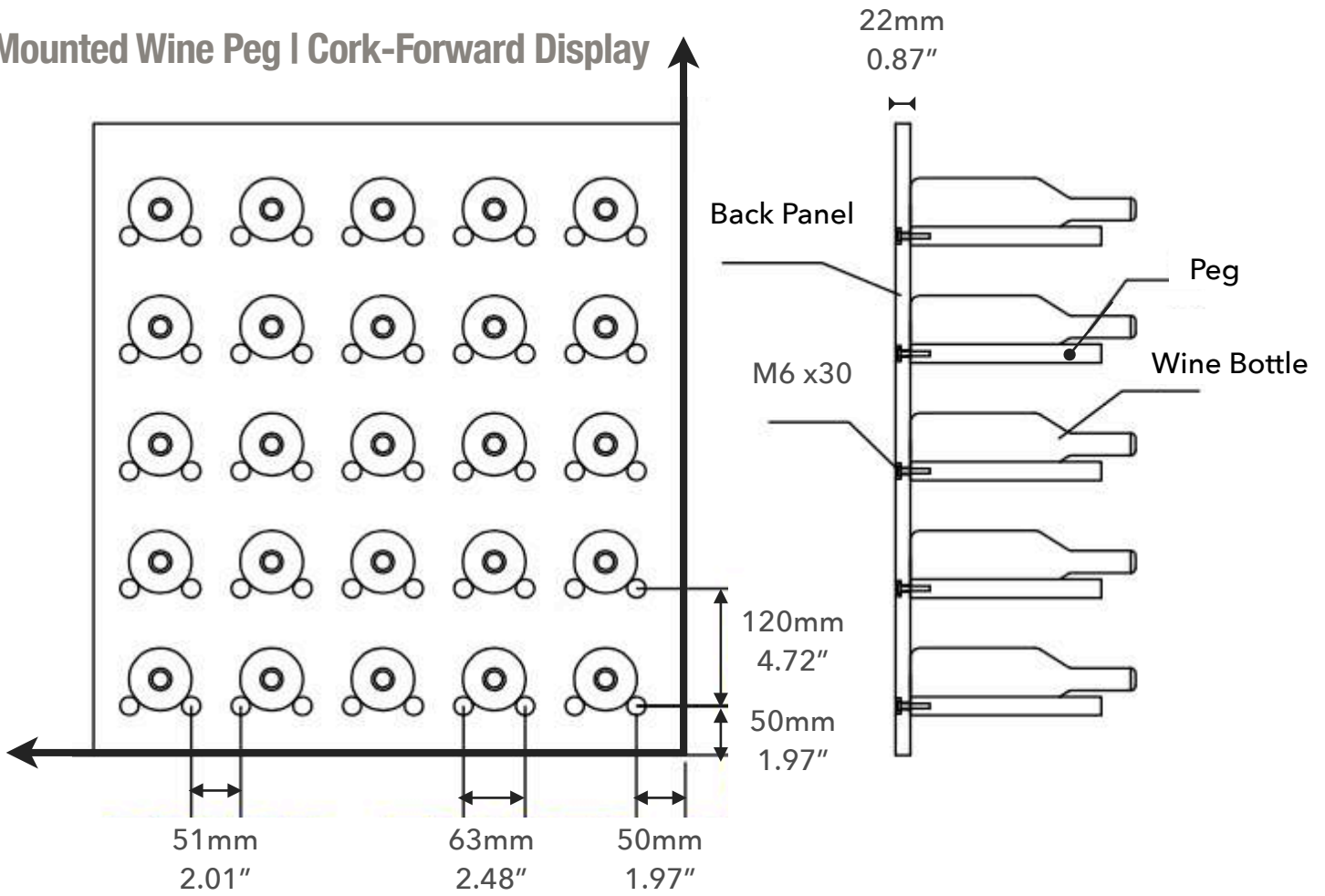
B. DIRECTLY FIX IT ON THE WALL



1. Drill holes on the wall using an electric driller
2. Put expansion screws into the holes
3. Tighten the expansion screws with a wrench
4. Screw in the wine pegs



Wall Mounted Wine Peg | Cork-Forward Display



Wall Mounted Wine Peg | Label-Forward

