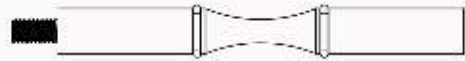


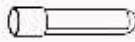
WALL MOUNTED METAL RAIL WINE RACK - 4FT (1213MM)



AX2



BX24



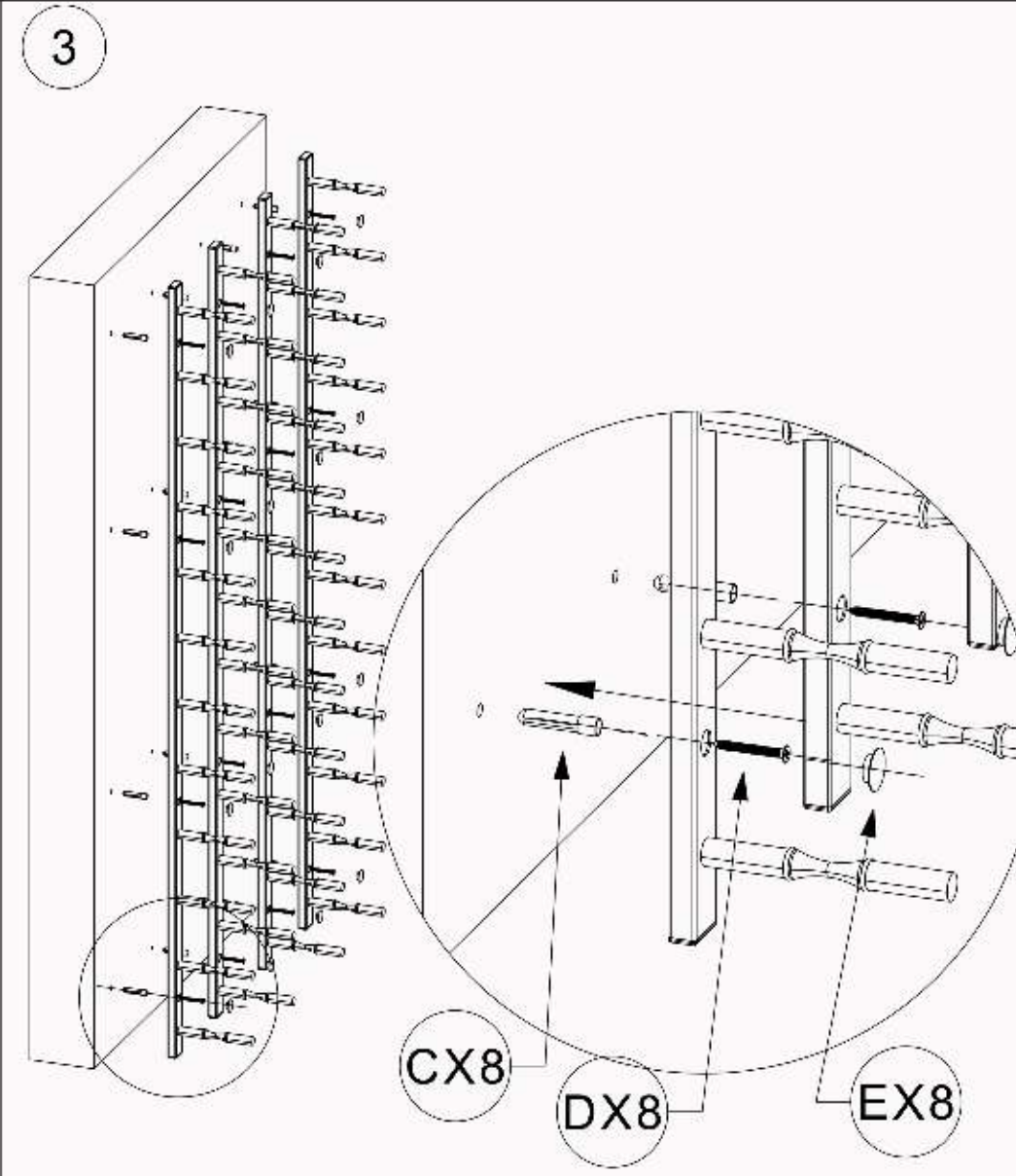
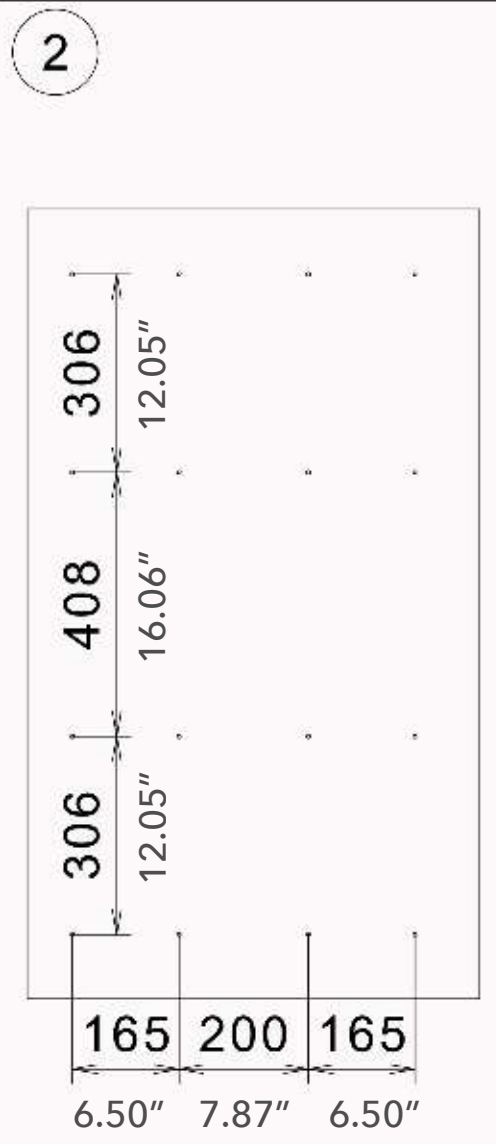
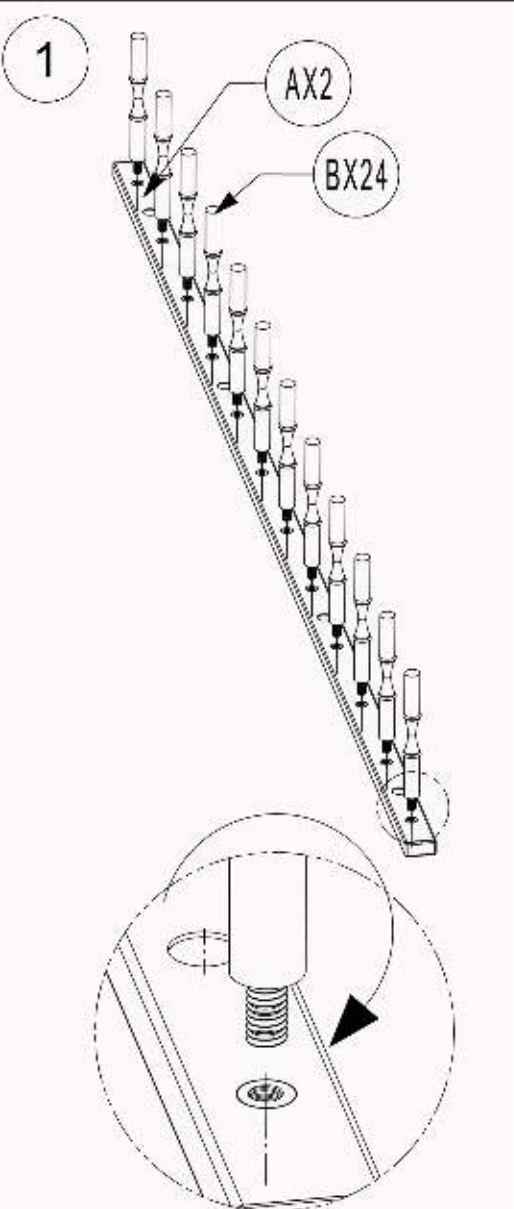
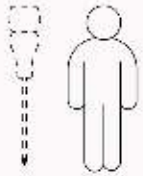
CX8



DX8



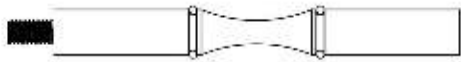
EX8



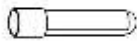
WALL MOUNTED METAL RAIL WINE RACK - 3FT (908MM)



AX2



BX18



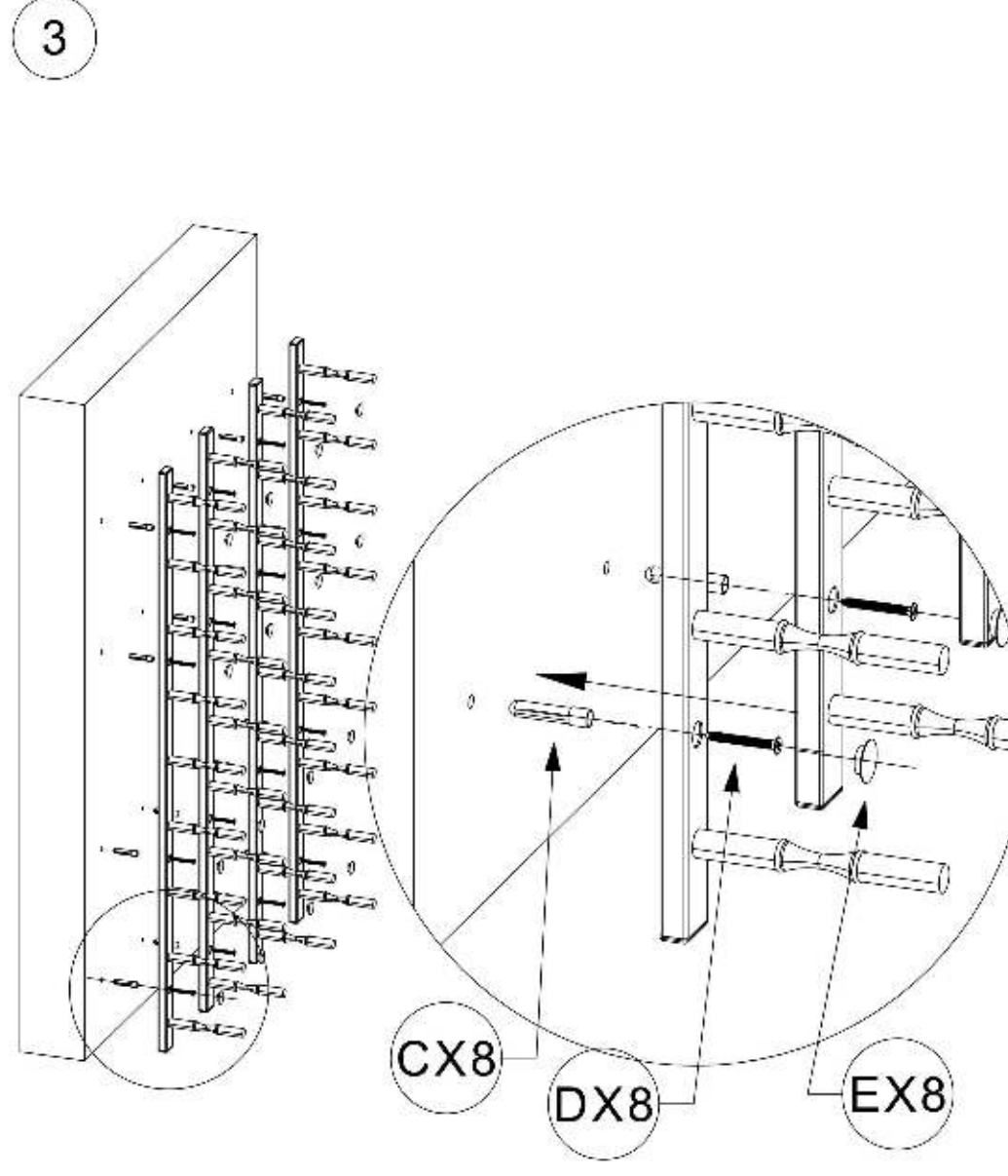
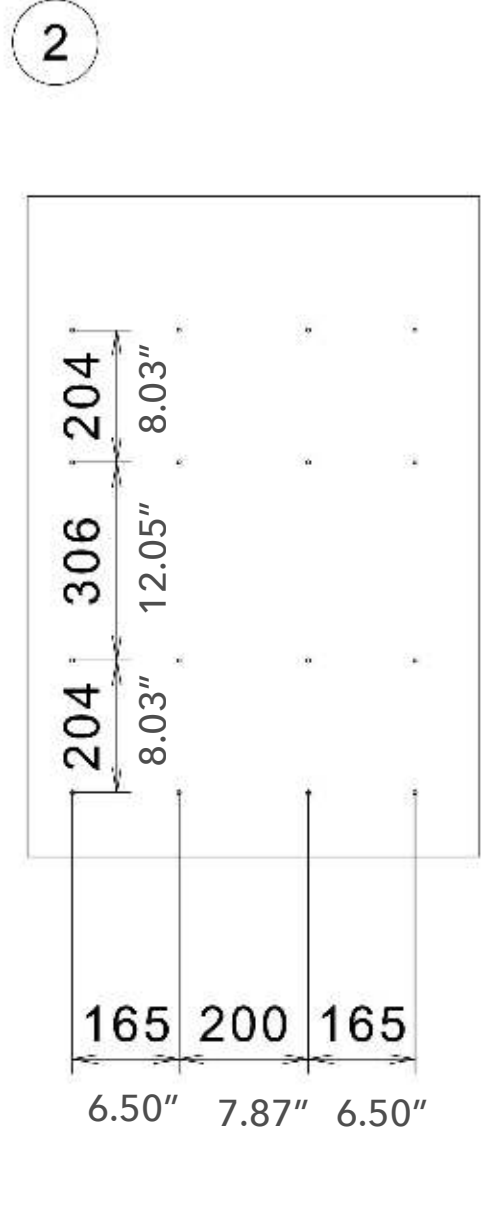
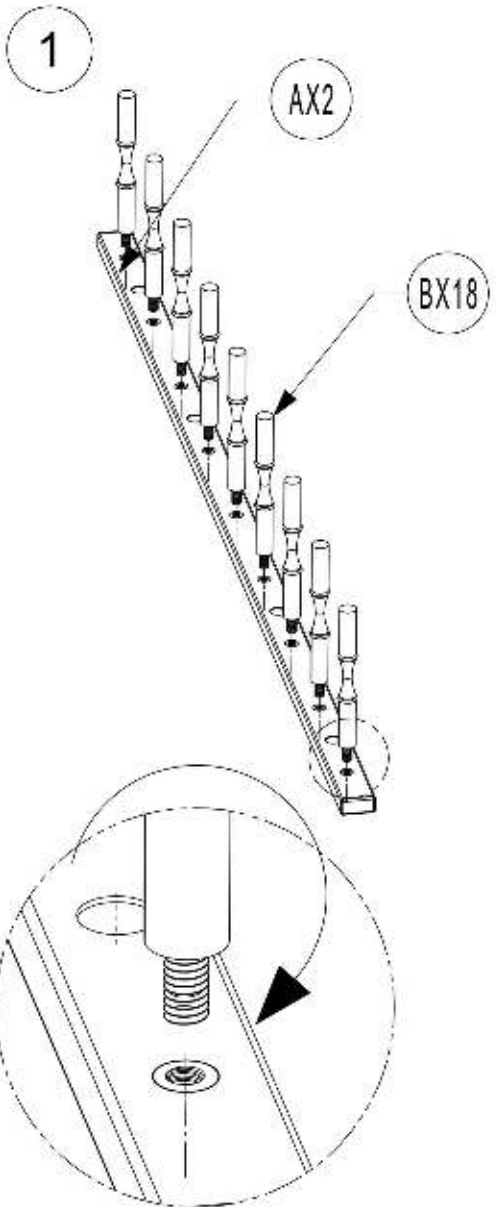
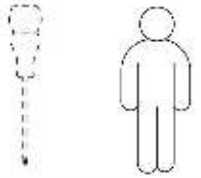
CX8



DX8



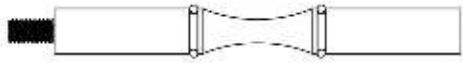
EX8



WALL MOUNTED METAL RAIL WINE RACK - 2FT (603MM)



AX2



BX12



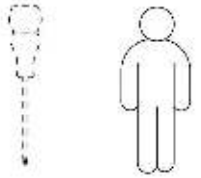
CX6



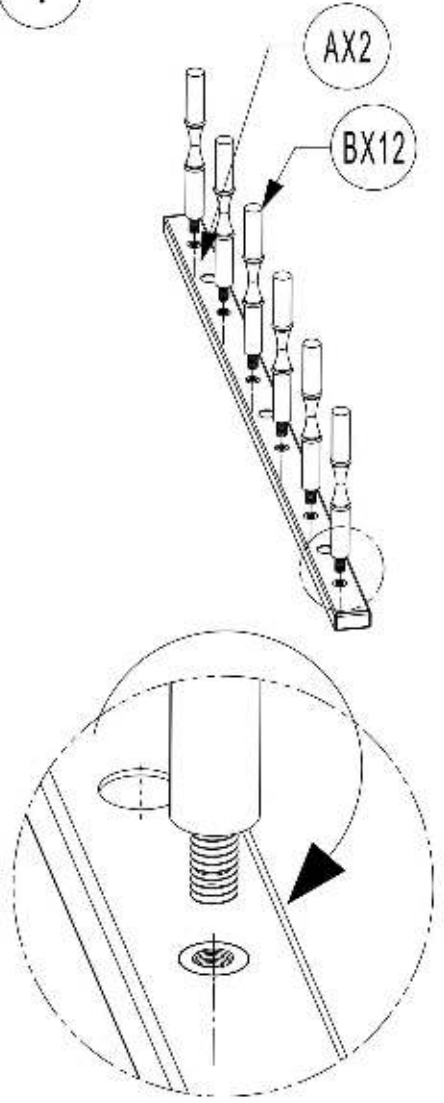
DX6



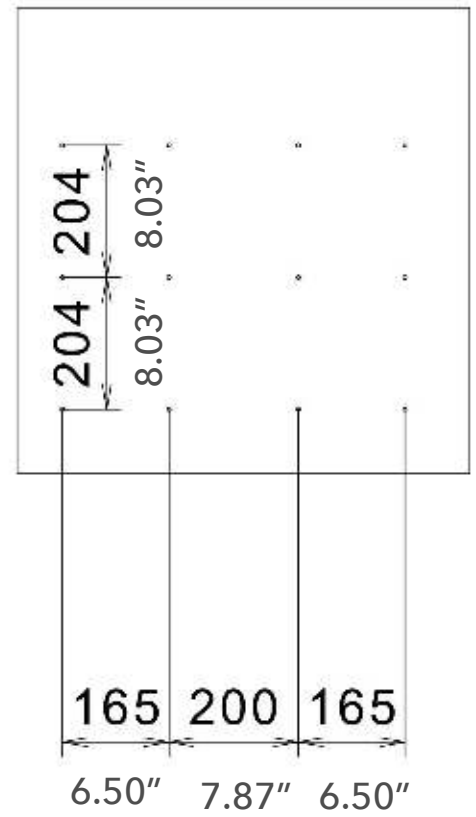
EX6



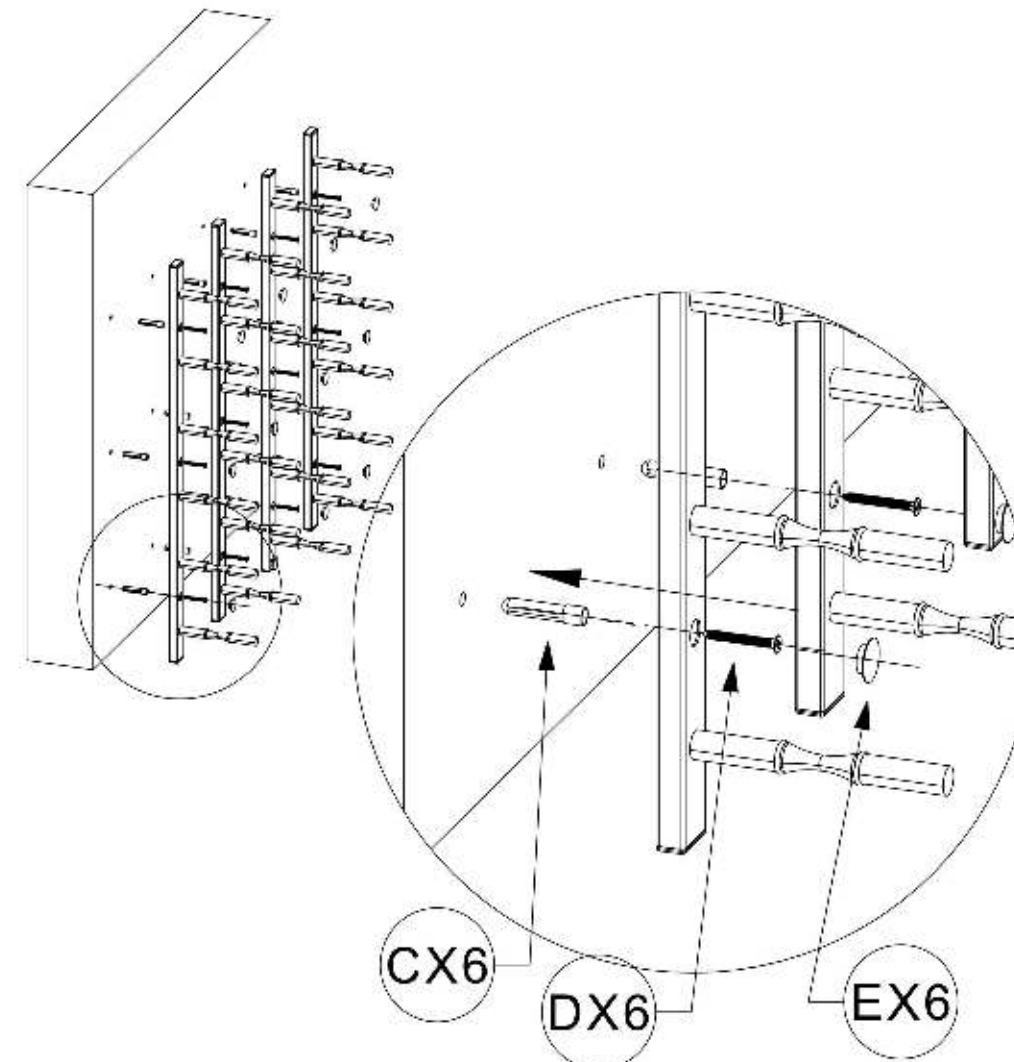
1



2



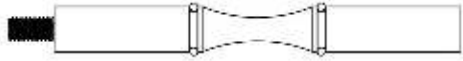
3



WALL MOUNTED METAL RAIL WINE RACK - 1FT (298MM)



AX2



BX6



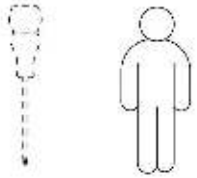
CX4



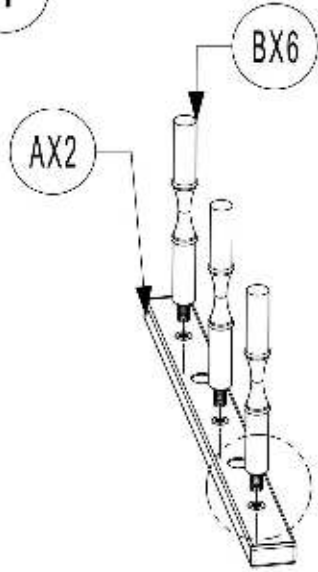
DX4



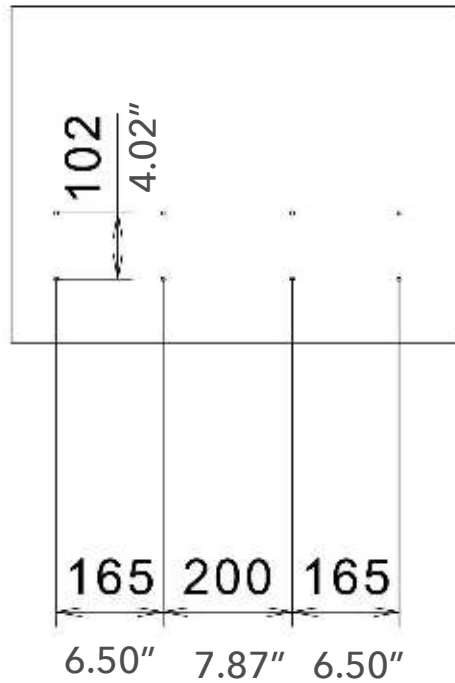
EX4



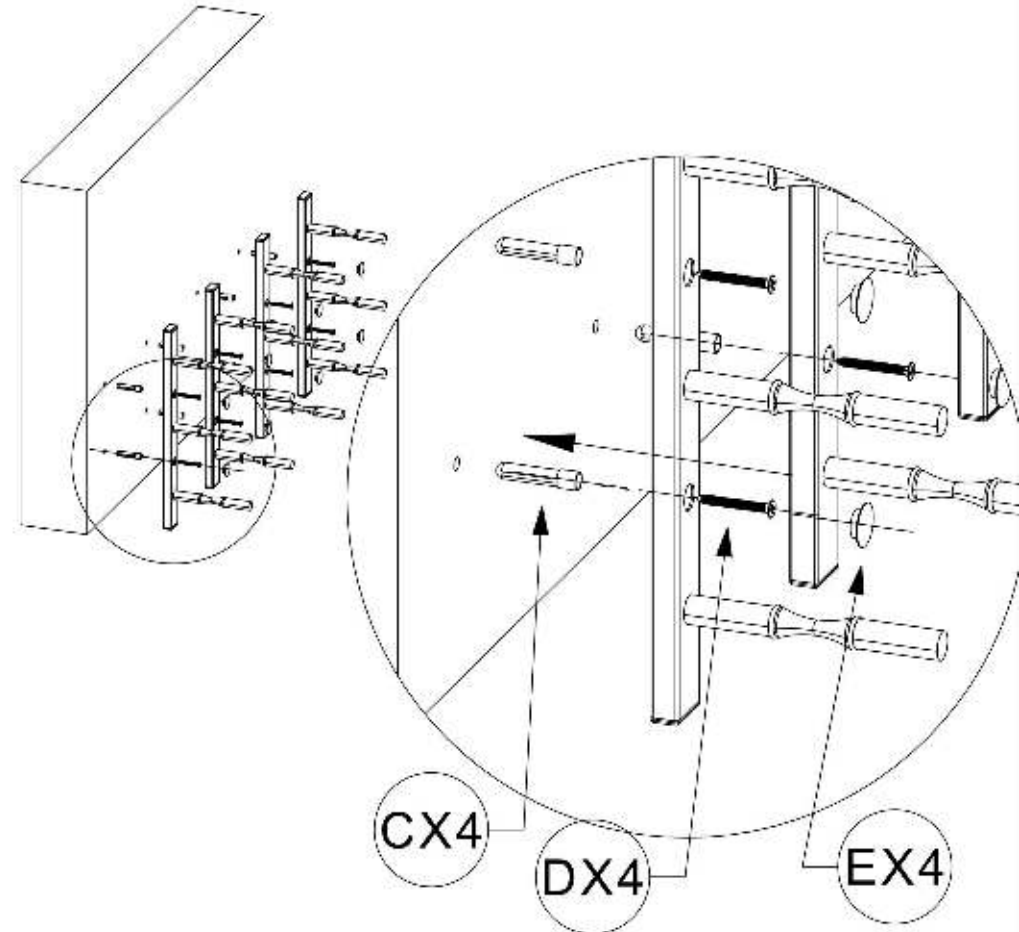
1



2



3



WALL MOUNTED METAL RAIL WINE RACK SPECIFICATIONS

	BOTTLE CAPACITY			PEGS INCLUDED (PAIR)	WALL BACK RAIL DIMENSIONS	
	1-BOTTLE DEPTH	2-BOTTLE DEPTH	3-BOTTLE DEPTH		INCH	MM
1-FT LENGTH	3	6	9	3	1.02*0.51*11.75	26*13*298
2-FT LENGTH	6	12	18	6	1.02*0.51*23.75	26*13*603
3-FT LENGTH	9	18	27	9	1.02*0.51*35.75	26*13*908
4-FT LENGTH	12	24	36	12	1.02*0.51*47.75	26*13*1213
PEG DIMENSIONS (INCH)	L5*D0.5	L9*D0.5	L13*D0.5			
PEG DIMENSIONS (MM)	L127*D13	L229*D13	L330*D13			

