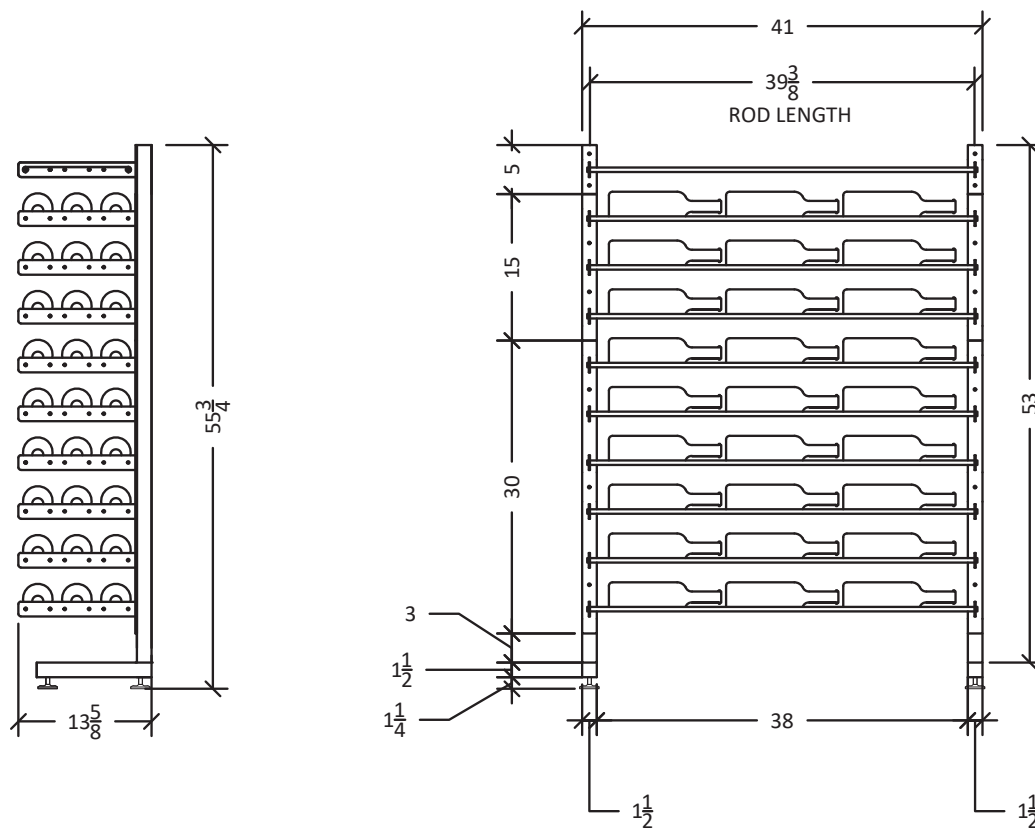
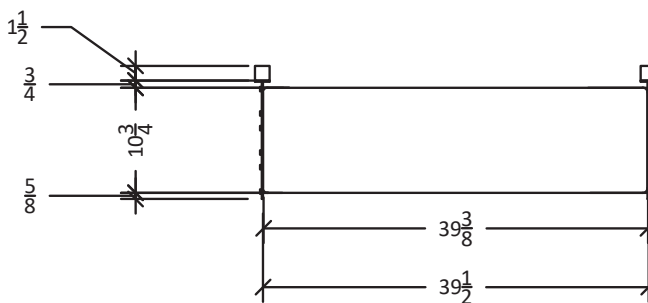


Wine Wall Island Display Rack 4 (half)

Spec Sheet for WW-IDR4 (-SH and -XL models), 90-bottle freestanding wine rack



Shelf reduces bottle capacity by 9 bottles and is only included with -SH models.



VINTAGEVIEW®
MOVING WINE STORAGE FORWARD