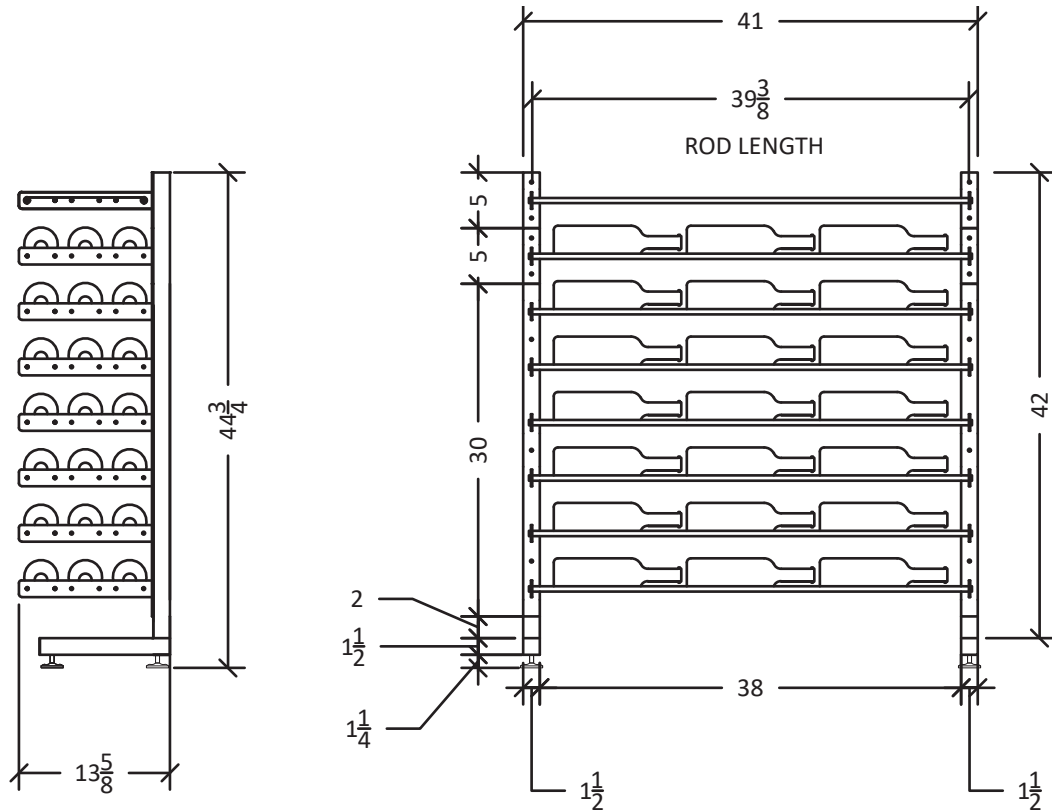
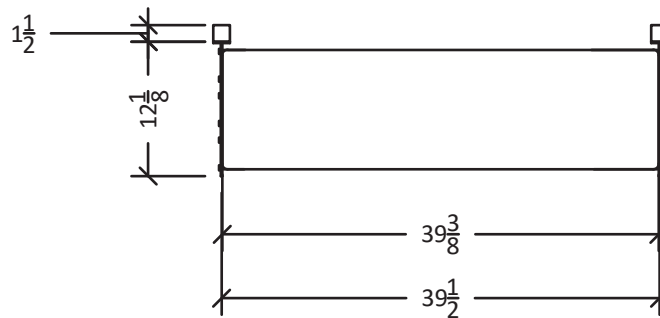


Wine Wall Island Display Rack Half 3 (half)

Spec Sheet for WW-IDR3 (-SH and -XL models), 72-bottle freestanding wine rack



Shelf reduces bottle capacity by 9 bottles and is only included with -SH models.



VINTAGEVIEW®
MOVING WINE STORAGE FORWARD