

# Evolution Wine Wall Post

Installation instructions for floor-to-ceiling post for Wine Wall racking



## Parts List

- 1 Post base
- 1 Post top
- 24 Self-drilling screws
- Drill bit

## Required Tools

- Phillips head driver/drill
- Level
- Pencil
- Tape measure
- Metal cutting saw
- Metal file

## Fasteners:

Fasteners for securing racks to the Wine Wall Posts are provided (self-drilling screws).

Each mounting plate is pre-drilled for installing to the ceiling or floor. Please use the following recommendations for fasteners:

- Drywall: Attach to joists or wood backing when available with a #8 X 1¼" course thread screw or larger or use expanding hollow wall anchors with at least #8 screw size
- Wood: Use #8 X 1¼" course thread screws or larger
- Concrete, Brick or Stucco: 3/16" x 1¼" masonry screw or #8 x 1¼" screw with appropriate size expanding concrete anchor

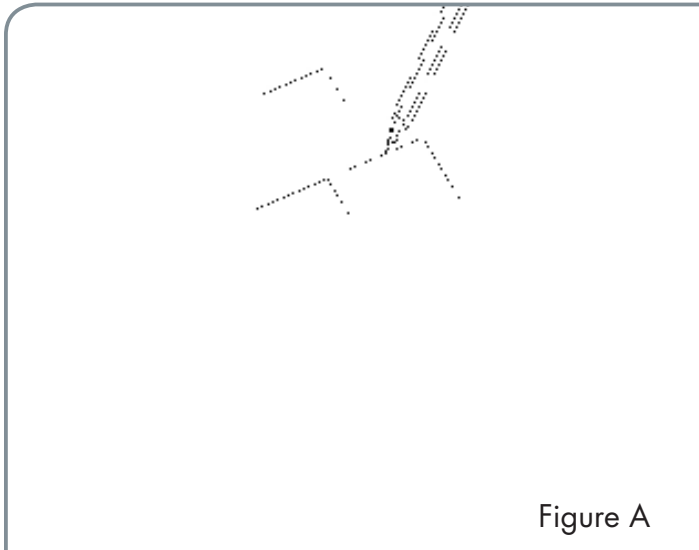


Figure A

**1. Build Wine Wall Racking:** Follow instructions provided with Evolution Wine Wall racking (sold separately) to assemble required racking for project.\*

## 2. Measure ceiling height and mark Post:

Measure the ceiling height in the place where the post is to be installed. Lay each section, interlaced, as shown above (Figure A). Position the post so that the measurement from top to bottom of the base plates equals your ceiling height. Mark the top post section.

**3. Cut Post:** Using a reciprocating saw, band saw or hack saw, squarely cut Post at marks from Step 2 (Figure B). Repeat steps 2 and 3 for second post.

*Don't use abrasive saws as they may damage finish!*

\* See following page for instructions using Extensions

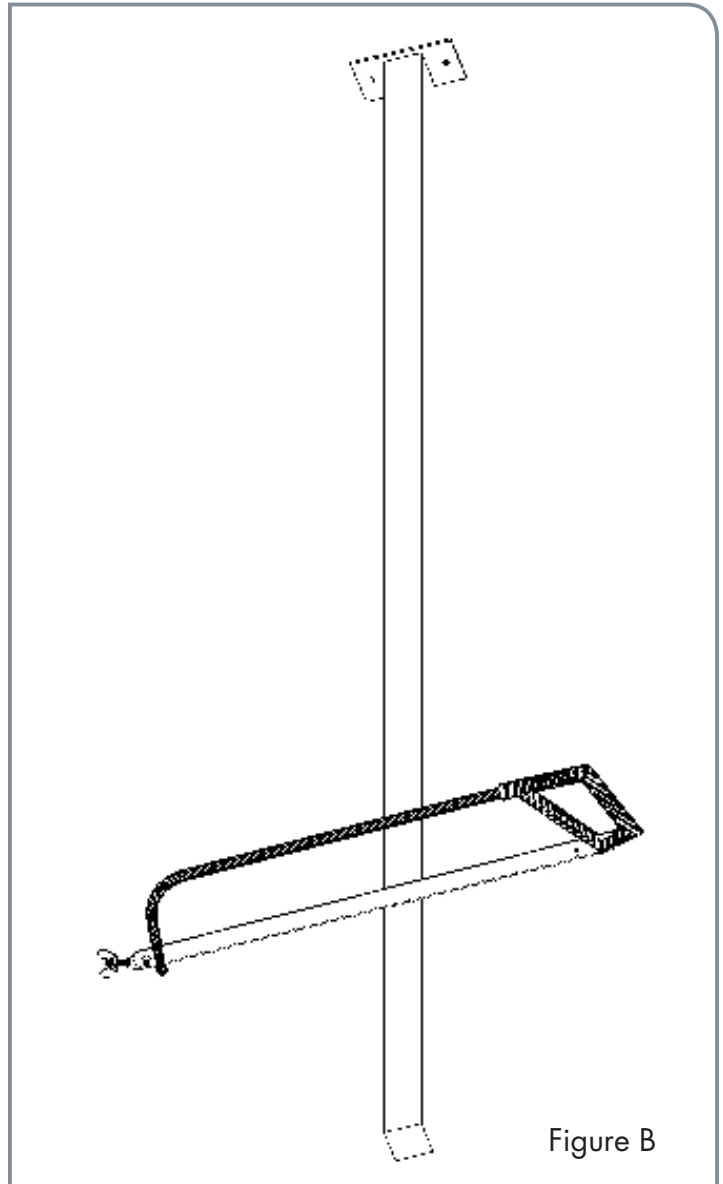


Figure B

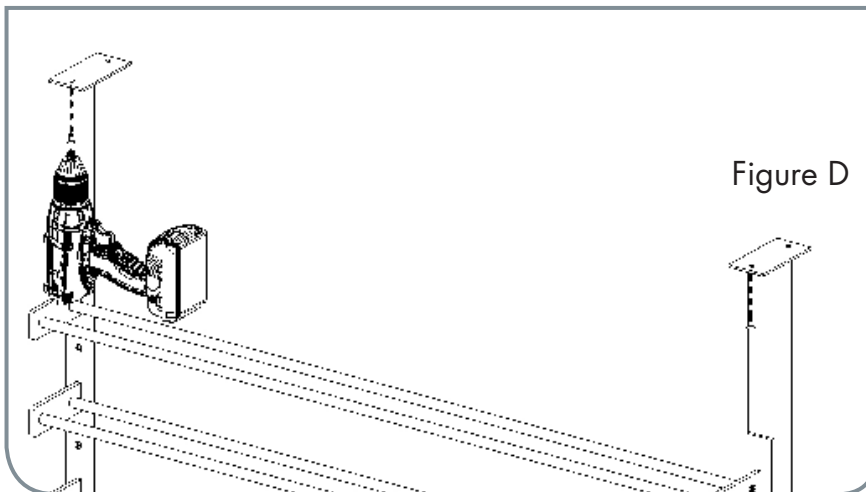
## Instructions



**3. Assemble the Post:** Slide the Post together, securing it to each bracket of assembled Evolution Wine Wall rack (Figure C).

**4. Install the Post & Rack:** Stand the Post and rack combo in the desired location and ensure it is plumb both front-to-back and side-to-side using a level. Attach the mounting plate to the ceiling using the appropriate fasteners for the ceiling material (Figure D). Double check that the post is plumb with a level and secure the mounting plate to the floor.

**5. Add Wine:** Only the good stuff.



### For installations using Wine Wall Extensions

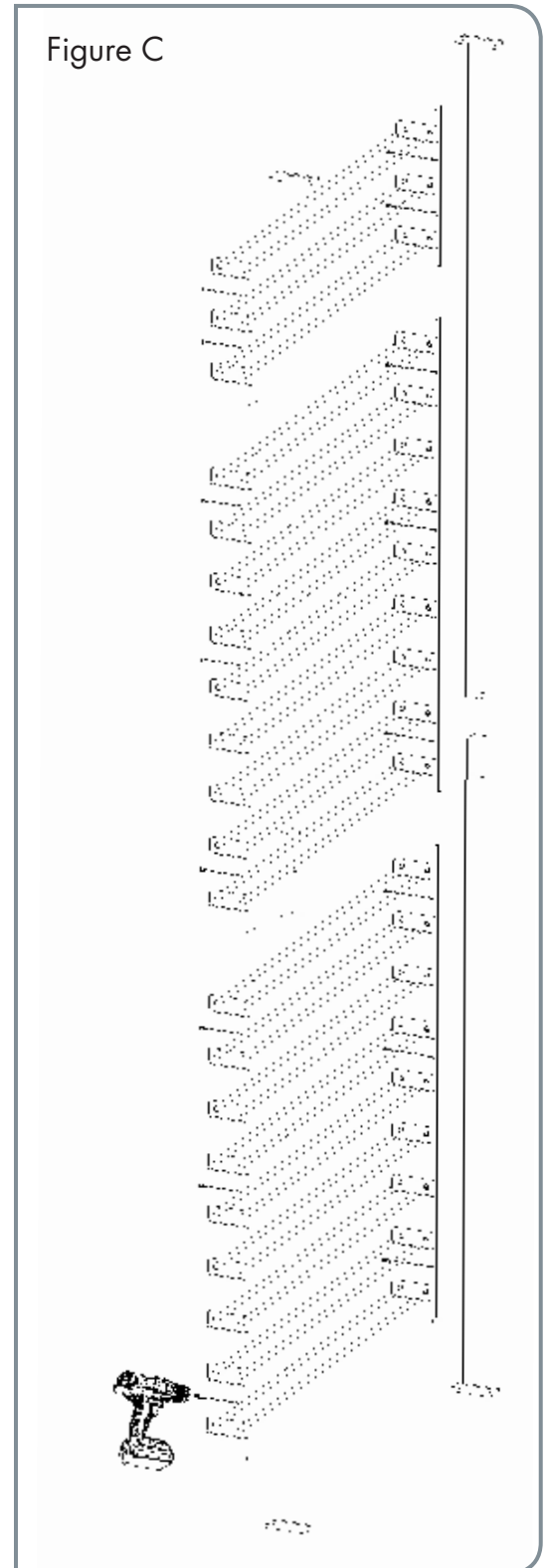
Skip Step 1, and after measuring and cutting Posts (Steps 2 & 3), use the following steps:

**4x. Assemble the Posts:** Slide the Post together, securing it to each bracket of an Evolution Wine Wall rack (Figure C).

**5x. Install the first Post:** Stand the first Post with one end of Wine Wall racking attached in the desired location and ensure it is plumb, both front-to-back and side-to-side, using a level. Attach the mounting plate to the ceiling using the appropriate fasteners for the ceiling material (Figure D). Double check that the post is plumb with a level and secure the mounting plate to the floor.

**6x. Assemble "Guide Rods":** Following Wine Wall Extension (sold separately) instructions, install three sets of Wine Rods the

Figure C



VINTAGEVIEW®  
MOVING WINE STORAGE FORWARD



bracket at the top, middle, and bottom of each Wine Wall rack height (Figure F). These will serve as “guide rods” to line up the next Post.

**7x: Line up next Post:** Measure 39 1/2” to the next Post location\* — centerline to centerline — and use “guide rods” to properly align. \*Adjust the measurement width for any custom-cut wine rods.

**8x: Fasten “guide rods”:** Following Wine Wall instructions, attach the other end of the “guide rods” to the second post. Ensure Post and Rods are plumb before fastening tightly and securing base plates into floor and ceiling. Then install all remaining rods.

**9x: Repeat:** Continue steps 5x-8x for as many Wine Wall Extensions needed.

**10x Add wine:** Only the good stuff.

For additional support, visit [www.vintageview.com](http://www.vintageview.com)

