

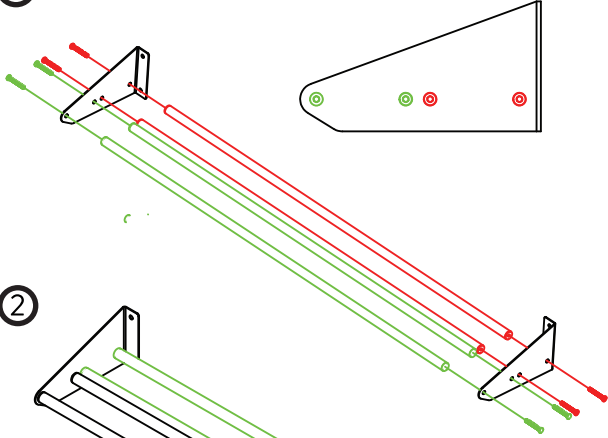
SHOWCASE SERIES

ROD ASSEMBLY GUIDE

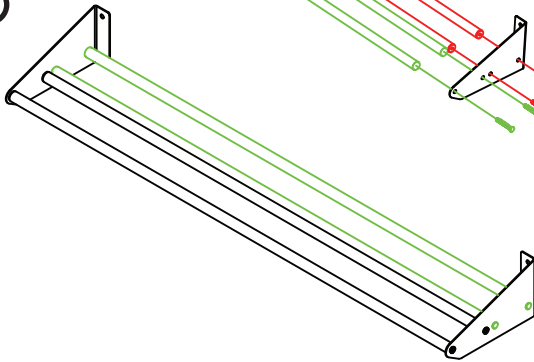


HORIZONTAL ROW 2D

①

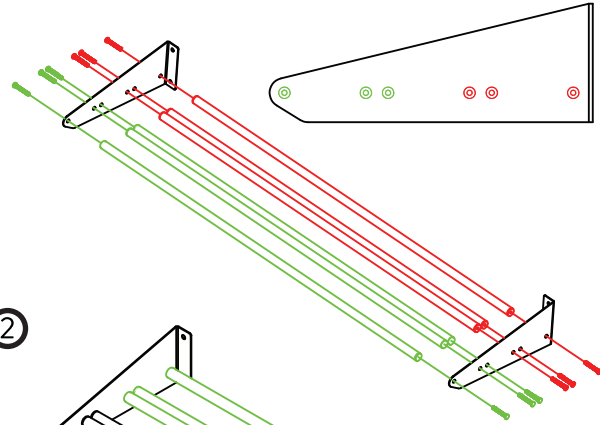


②

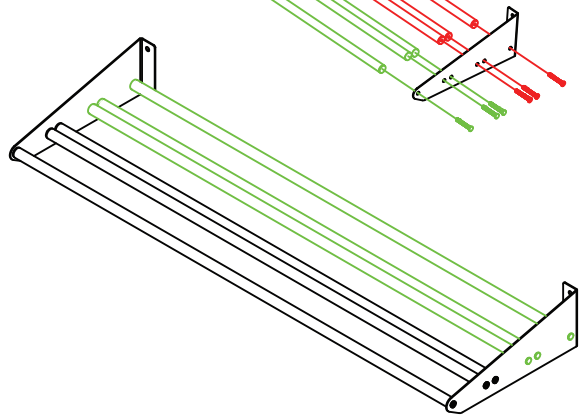


HORIZONTAL ROW 3D

①



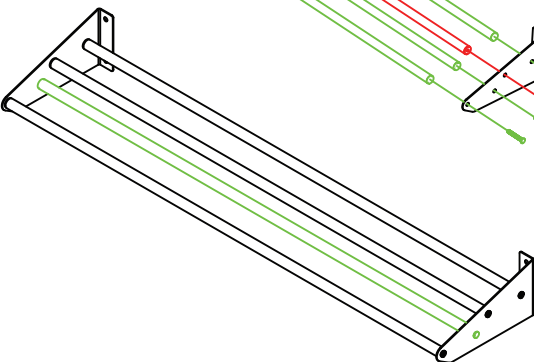
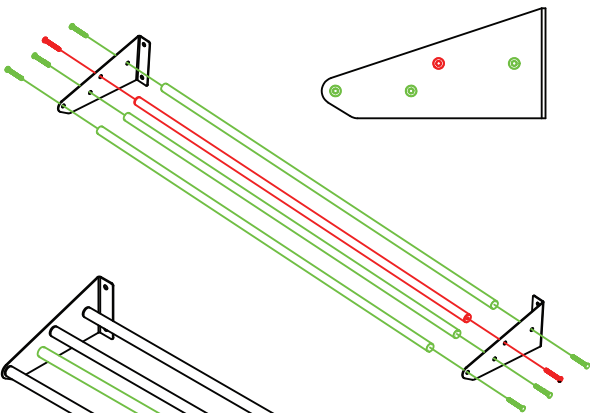
②



2D CASCADE ROW

①

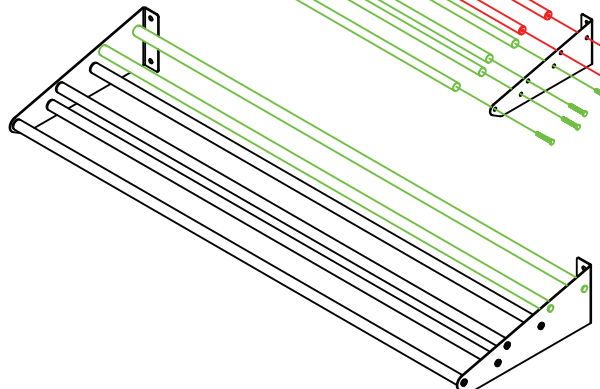
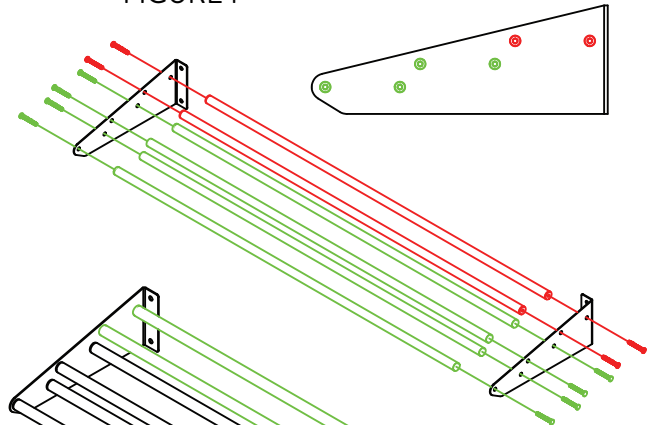
*FIGURE 1



3D CASCADE ROW

①

*FIGURE 1

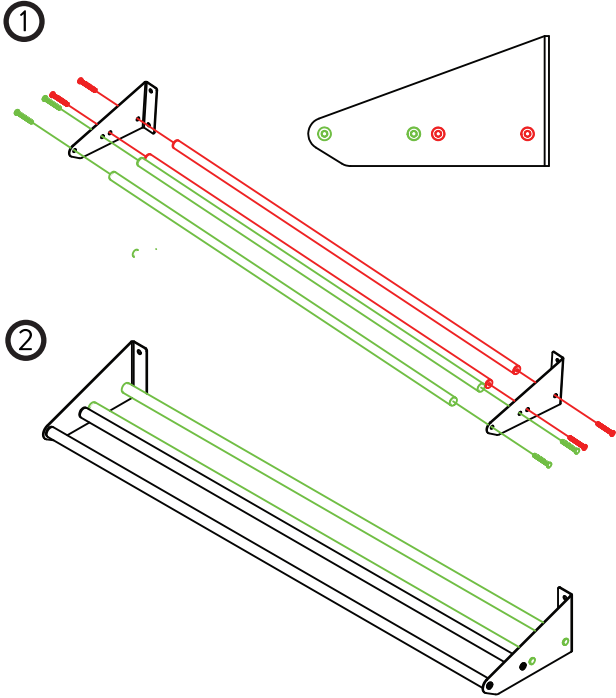


SHOWCASE SERIES

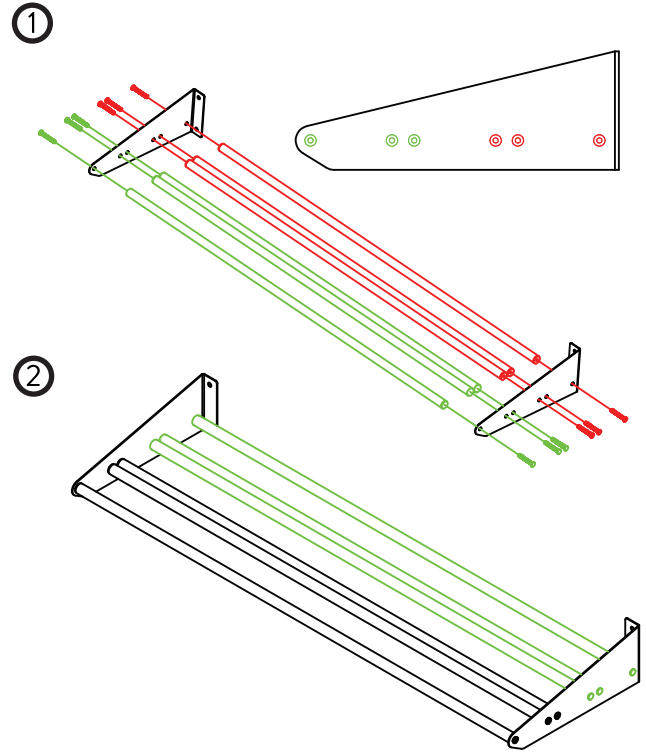
ROD ASSEMBLY GUIDE



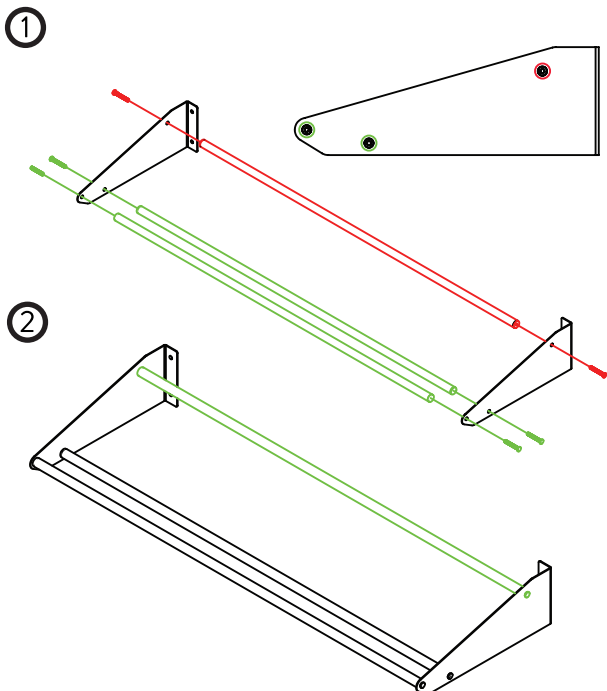
SHOWCASE SHELF ROW 2D



SHOWCASE SHELF ROW 3D



DISPLAY ROW



CORK-OUT ROW

