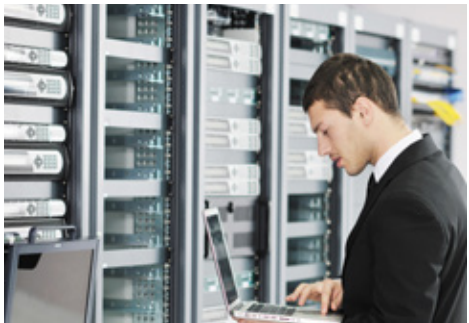




Eliminate the risk of providing your own HVAC system for a specialty environment *with a pre-engineered, pre-packaged Wine Guardian Pro system.*



Split Systems
 Pre-engineered for specialty environments and hotspots such as

- Fur storage
- Wine Cellars
- Cigar storage
- Instrument Storage
- Art storage
- Server rooms





Ductable Split Systems

Ductable split systems are the most versatile specialty cooling system on the market for customers who expect the most advanced technology in a specialty cooling unit. Applications include wine cellars, art or document preservation, instrument or fur storage, computer closets, niche environments, and more; these units can be used in nearly any application.

All Inclusive

- **3,400 to 14,900 BTU/H** cooling capacities
- 24-volt electronics for use with today's smart thermostats and building management systems
- Enhanced refrigeration controls
- High ambient protection

Durable

- Aluminum body and **all-aluminum** evaporator coils (fins & tubes) are **corrosion-resistant**
- Standard high static pressure fan for extended lengths of ductwork
- Completely serviceable in the field

Flexible

- Utility piping in one easily accessible location
- Multiple evaporator outlet locations (Any of five sides)
- Versatile, space-saving slimline condensing unit is ideal for wall and pad mounting

Unique Options

- Bolt-on humidifier
- Electric heat
- X-treme low-ambient controls on condensing unit for -20°F (-29°C) operation



System Specifications (BTUH)*

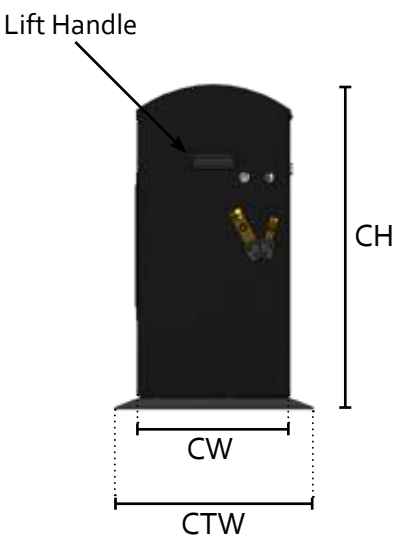
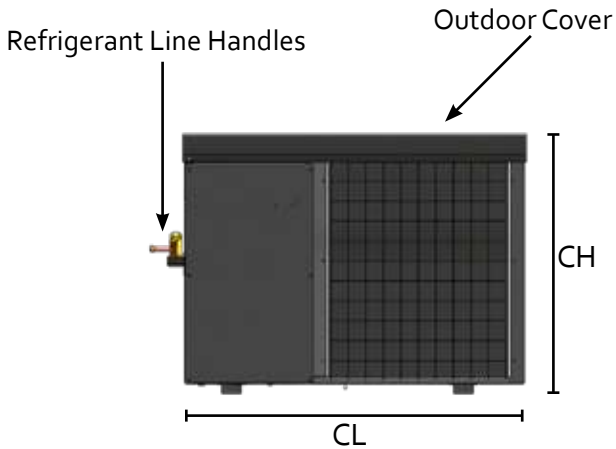
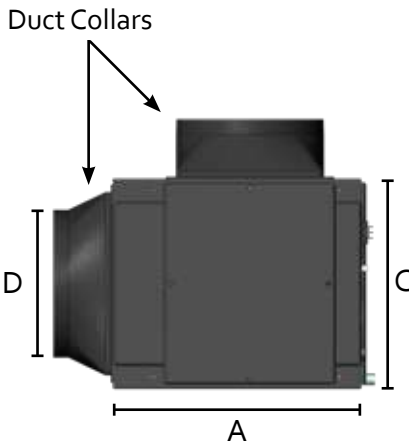
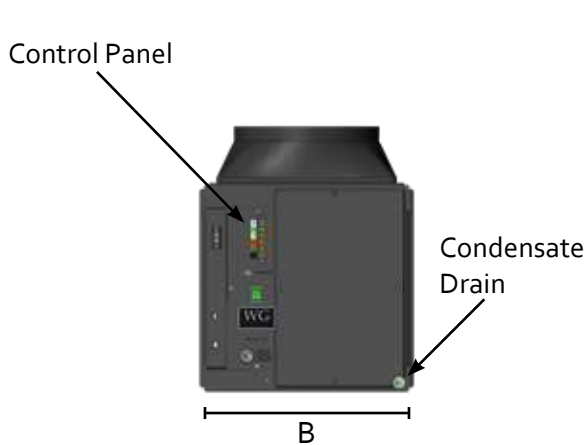
Model	Wine Cellars (55°F/57%)	ASHRAE (80°F/50%)	Heat (kW)	Voltage (Hz)
SP25	3,400	4,180	1.0	115
SP50	6,300	7,760	1.0	115
SP88	9,600	10,690	2.0	230
SP200	14,900	20,100	2.0	230

* See detailed specifications for complete product performance specifications, above table to be used as a guide only, based on 90°F condenser inlet conditions and maximum evaporator airflow at 0.0" esp.

Maximum advisable operating conditions are ASHRAE rating conditions of 80/50% indoor at 95°F outdoor.



Ductable Split Systems



System Specifications*

Model	A	B	C	D	Weight	Outdoor Condenser**				
						CL	CW	CTW	CH	Weight
SP25	16 ^{3/4}	14	14 ^{1/4}	8	25	34	12	16	26	57
SP50	16 ^{3/4}	22	14 ^{1/4}	10	35	34	12	16	26	75
SP88	16 ^{3/4}	22	14 ^{1/4}	10	37	34	12	16	26	100
SP200	20 ^{7/8}	23	18	12	56	34	12	16	26	125

Note: Length, Width and Height in inches (in.); Weight in pounds (lbs.)

*Specifications are subject to change

**Wine Guardian Condensing unit is patented.

US Patent No. D791294. EU Patent No. 003189349-0001

Rev 1/20