

# ***CEILING MOUNT*** **ADDENDUM**

2/3/2020

Ceiling Mount 4000

Ceiling Mount 8000

Ceiling Mount Twin

*Whisper***KOOL**<sup>®</sup>  
The Future of KOOL

**Conforms to ANSI/UL Std 427**

**Certified to CAN/CSA Std C22.2 No. 120**

***We manufacture, test and certify 100% of our wine cooling units in the USA. By sourcing the best components and closely controlling our manufacturing processes, we can assure the highest-quality, lowest defect manufacturing rates in the industry.***

Copyright © 2020. WhisperKOOL. All rights reserved.

WhisperKOOL copyrights this manual, the product design, and the design concepts, with all rights reserved. Your rights with regard to the hardware and manual are subject to the restrictions and limitations imposed by the copyright laws of the USA. Under copyright laws, this manual may not be copied, reproduced, translated, transmitted, or reduced to any printed or electronic medium or to any machine-readable form, for any purpose, in whole or in part, without the written consent of WhisperKOOL.

Every effort has been made to ensure that the information in this manual is accurate. WhisperKOOL is not responsible for printing or clerical errors.

WhisperKOOL reserves the right to make corrections or improvements to the information provided and to the related hardware at any time, without notice.

Vinothèque and WhisperKOOL are registered trademarks, and ECE is a trademark of WhisperKOOL. All rights reserved.

Mention of third-party products is for informational purposes only and constitutes neither an endorsement nor a recommendation. WhisperKOOL assumes no liability with regard to the performance or use of these products.

# TABLE OF CONTENTS

<b>Filter</b> .....	<b>3</b>
<b>Line Set, Drain Tube, and Electrical Connections</b> .....	<b>4</b>
<b>Additional Access Holes</b> .....	<b>4</b>
<b>2 Speed Switch</b> .....	<b>5</b>
<b>Insulation Blanket Installation</b> .....	<b>6</b>
<b>Wiring Diagrams</b> .....	<b>8</b>



## WARNING



The evaporator unit (fan coil unit) must be insulated using the insulation blanket provided in accordance with this manual. Refer to the insulation blanket installation instructions.

**Failure to follow the instructions provided will result in a poor vapor barrier, water damage, rust, and system corrosion which will void the warranty on your unit.**

The evaporator unit (fan coil unit) must be insulated using fiberglass insulation (R19 or higher) in addition to the provided insulation blanket. This includes the cavity between the ceiling joists. A warm attic environment will reduce the capacity of the cooling system, as the system will absorb heat from the attic in addition to the heat load from the wine cellar. This, in effect, will significantly reduce the cooling system's ability to cool the wine cellar.

Failure to properly insulate the evaporator unit may cause condensation to form on the surface of the housing and water damage to the surrounding structure, the cooling unit, and possibly the wine cellar.

To avoid these issues, install the insulation kit and insulate the surface of the evaporator unit that is located outside of the wine cellar using fiberglass insulation.

**\*Additional insulation is required!**

**FILTER**

Washable filter is installed from the factory on the return side of the grille, secured via Velcro strips.



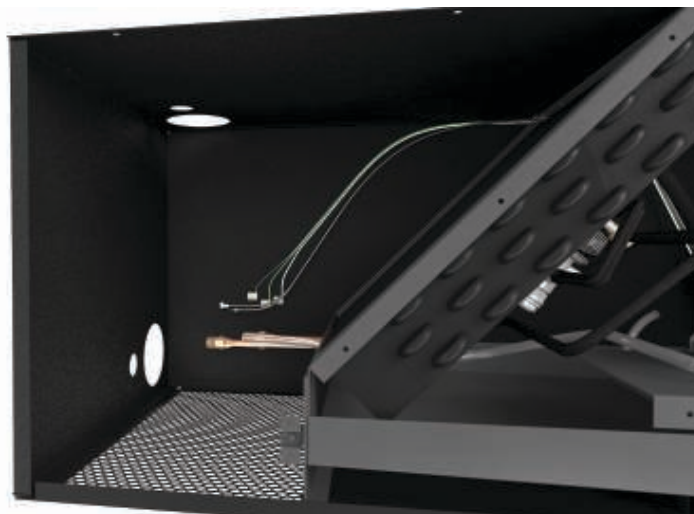
## LINE SET, DRAIN TUBE, and ELECTRICAL CONNECTIONS

- Line set, drain tube and electrical connections have been relocated to be accessible from the bottom (cellar side / grille side) located on return side of unit.
- Can be accessed by removing the grille.
- Flare fittings have been added to the line set.
- Liquid line – ¼" flare fitting.
- Suction line – ½" flare fitting.
- Connect Flare nuts from line set to system using Crescent wrenches or torque wrench.
- Pressure test is mandatory after connecting line set to the unit.
  - Verify there are no leaks before beginning vacuum and charging process.



### ADDITIONAL ACCESS HOLES

- Top access holes.
  - 1 large hole for line set.
  - 1 small hole for electrical.
  - Note: do not run electrical wiring through same hole as line set.
- Side access holes.
  - 1 large hole for line set.
  - 1 small hole for electrical.
  - Note: do not run electrical wiring through same hole as line set.
- Use the provided plug to cover the small hole not in use.
- Use the provided sticker (4" x 4") to cover the large hole not in use.
- Use the provided strain relief clamp to route electrical wiring into unit.
- Seal around line set hole with cork tape, or other insulation to ensure proper seal.
- Note: side access holes will be applicable only if utilizing the flush mounting option.



### 2 SPEED SWITCH

- The WhisperKool Ceiling mount now comes equipped with a 2-speed fan switch.
- Located on the electrical panel. Access by removing grille and internal access panel.
- Speed is sent from factory set to High. Flip the switch to adjust down to Medium speed.



# WhisperKOOL™ INSULATION BLANKET INSTALLATION

An external Insulation Blanket is included with the purchase of each Ceiling Mount. It is mandatory that the insulation blanket be installed on the exterior of the Ceiling Mount unit prior to unit installation in the ceiling.

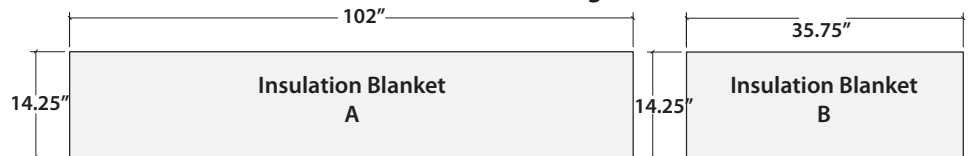
- Ceiling Mount evaporator dimensions (including insulation blanket): 36.25"L x 15"W x 13"H.
- Whispercool recommends constructing the frame using dimensions which include the insulation blanket to ensure proper fitment.

**\*Tools required: spray adhesive, utility knife, cork tape, foil tape**

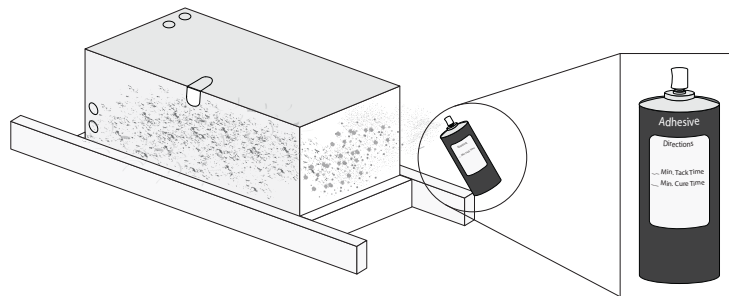
**Mini Ceiling Mount blanket dimensions**



**Ceiling Mount blanket dimensions**

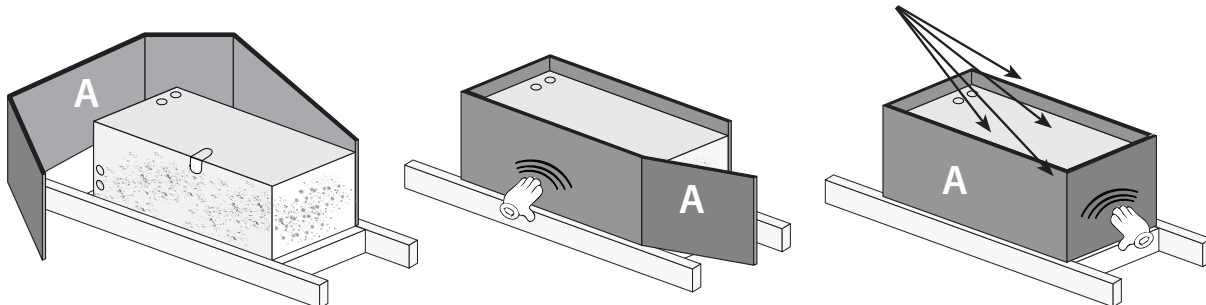


1. Once mounting bracket location has been selected and installed, proceed to the insulation blanket installation.
2. Spray adhesive onto the sides of the portions of the evaporator unit and mounting bracket which protrude into the attic. See spray adhesive directions for proper tack time before proceeding to step 3 (see illustration).

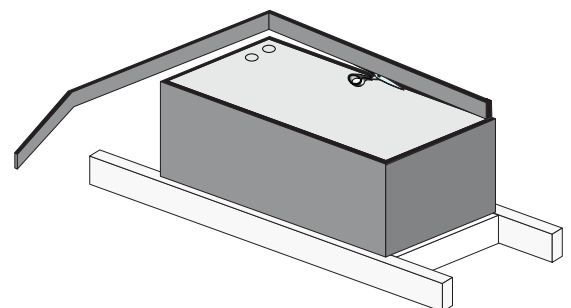


3. Wrap insulation piece (A) around the sides of the evaporator unit. Make sure the bottom edge of the insulation is flush with the top edge of the mounting bracket (see illustration).

**If needed, trim excess insulation around all edges.**



4. Set insulation in place by pressing firmly on all surfaces of the insulation that come in contact with the sides of the evaporator unit (see illustration).
5. Using a utility knife, cut holes in the insulation for the line set, wiring, and drain line if needed.
6. If necessary, cut the insulation to size using the top edge of the

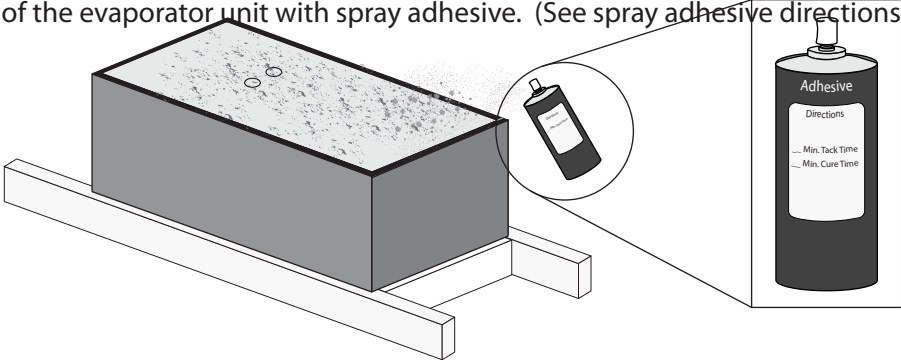




# INSULATION BLANKET INSTALLATION, CONTINUED

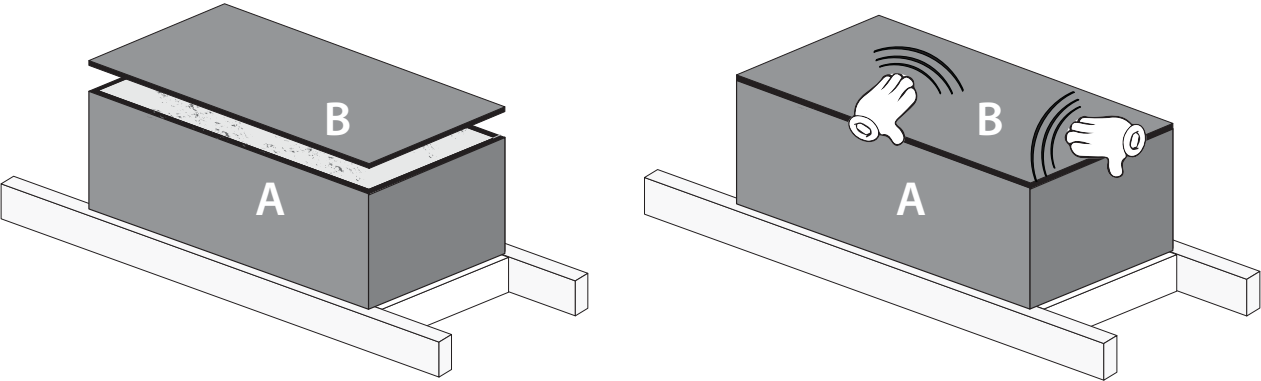
evaporator unit as a template. Remove excess insulation. Proceed to piece (B) installation.

- 7. Spray the top of the evaporator unit with spray adhesive. (See spray adhesive directions for proper tack time



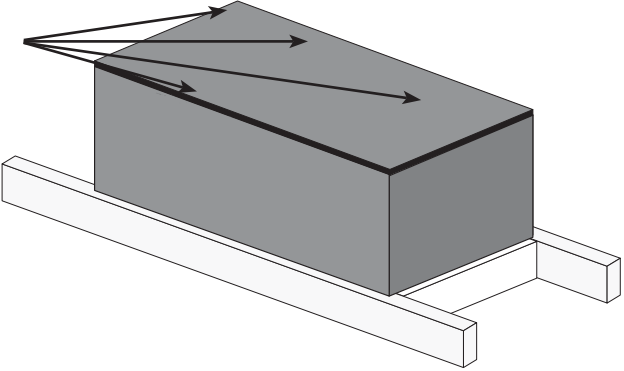
before proceeding to step 8.)

- 8. Set piece (B) in place by pressing firmly on all surfaces of the insulation that come in contact with the top of the



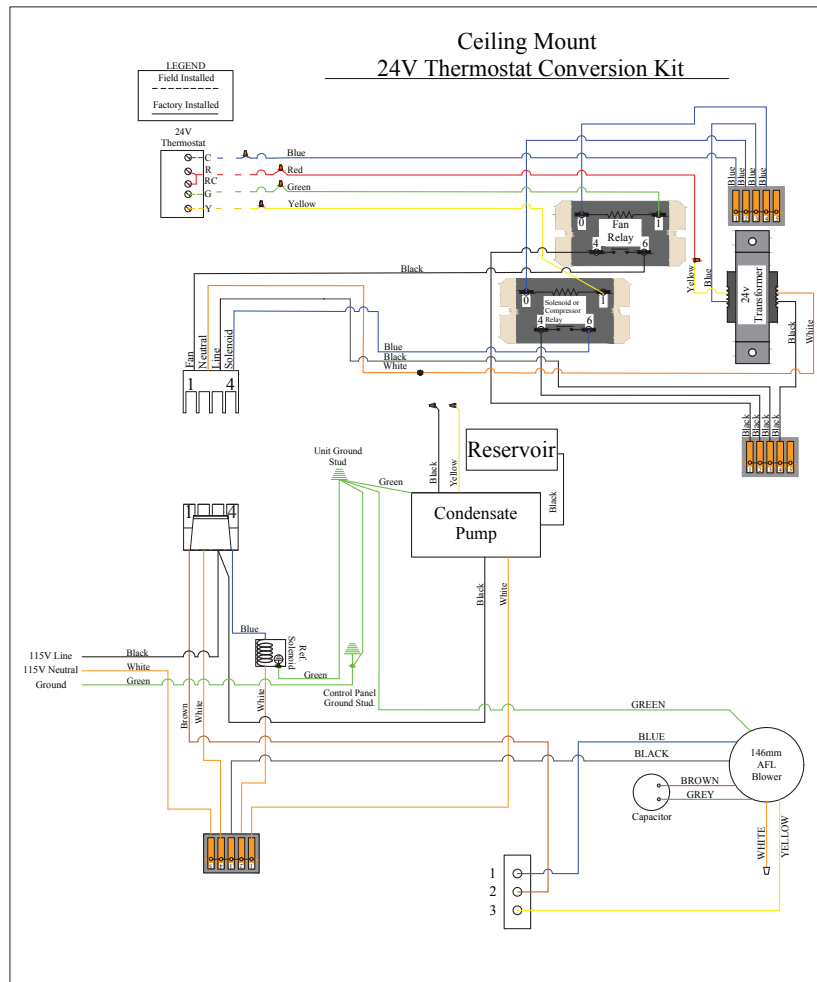
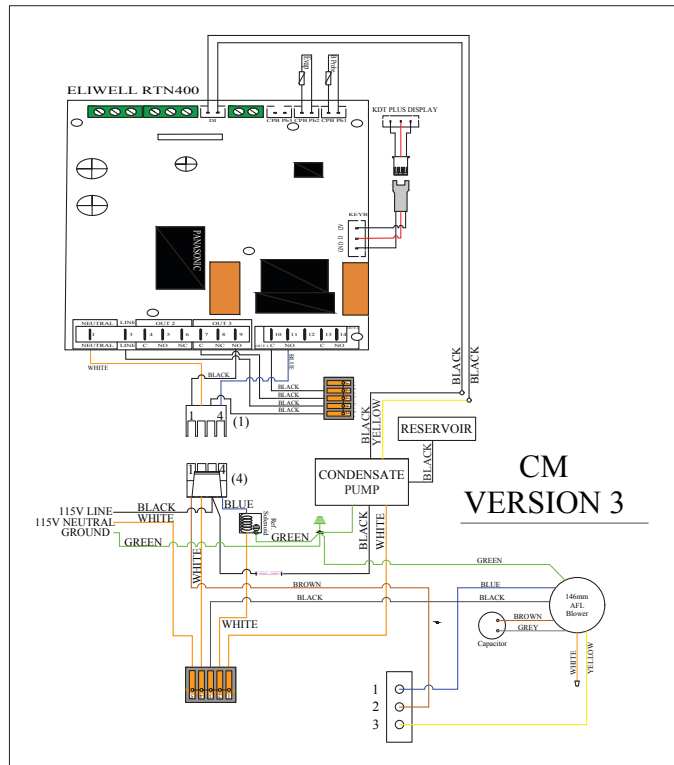
evaporator unit (see illustration).

If needed, trim excess insulation around all edges.

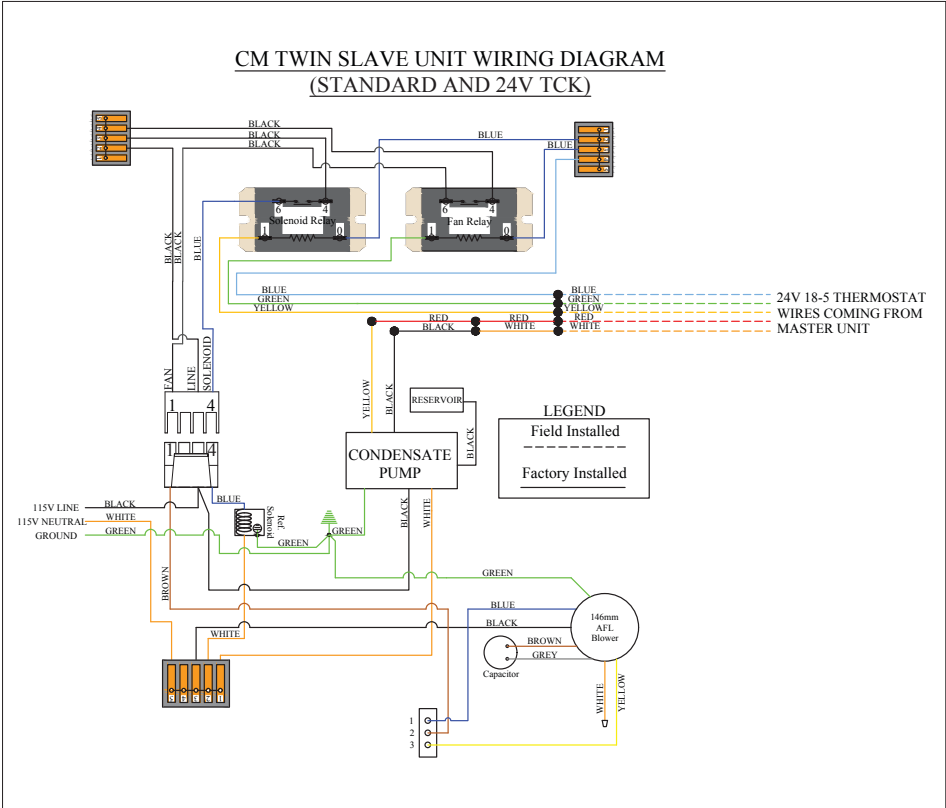
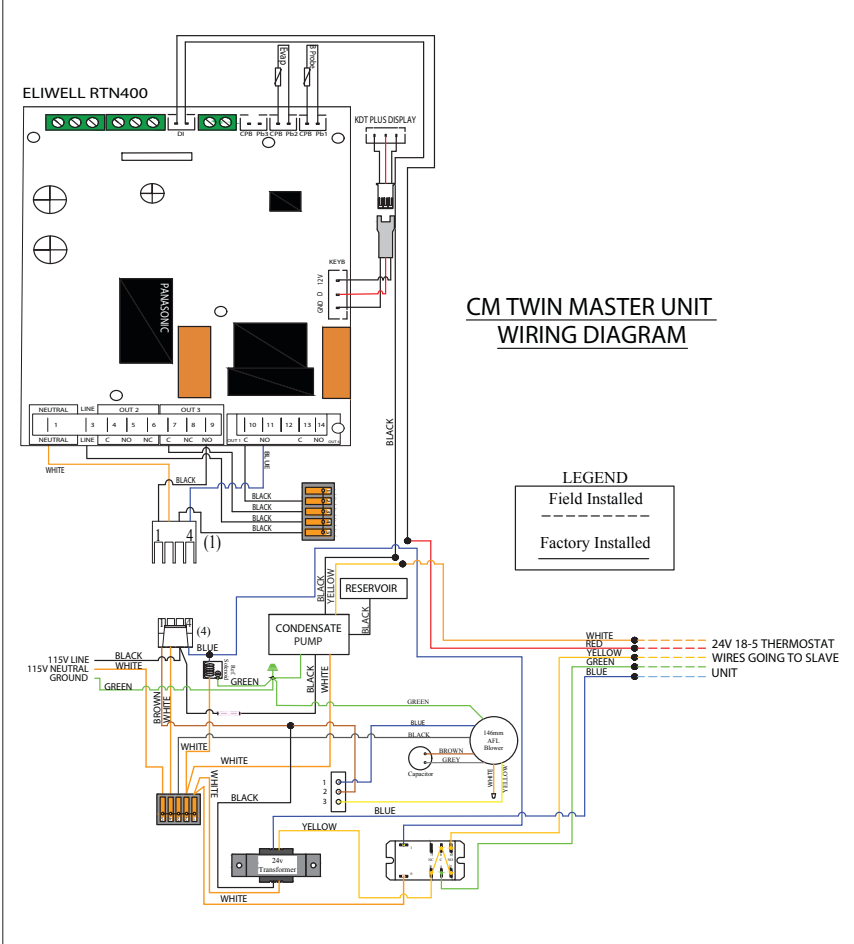


- 9. Using a utility knife, cut holes in the insulation for line set, wiring, and drain line if needed.
- 10. Once insulation is installed, apply foil tape to all seams, covering them completely.
- 11. Inspect insulation for damage/defects. If damaged, repair with foil tape.
- 12. Apply cork tape or equivalent to areas where the line set, wiring, and drain line enter the unit.

WIRING DIAGRAMS



WIRING DIAGRAMS



*Whisper***KOOL™**

WhisperKOOL  
1738 E. Alpine Ave  
Stockton, CA 95205  
1-800-343-9463  
[www.whisperkool.com](http://www.whisperkool.com)