



# CUSTOM SHOWCASE KIT

## INSTALLATION GUIDE

**RECOMMENDED TOOLS:** Safety Glasses, Plastic Speed Square, Two Clamps, Auto Center Punch, Ladder, two magnetic levels, 4-foot level, pencil, 4mm Allen wrench.

## INSTALLATION STEPS

**IMPORTANT:** Before installing, check package contents for missing or damaged items.

### STEP 1: LOCATE DESIRED AREA TO INSTALL KIT

### STEP 2: IDENTIFY APPROPRIATE MOUNTING HARDWARE

Identify the appropriate floor & ceiling mounting hardware for your unique application (drywall, stucco, concrete, brick)

### STEP 3: MEASURE CEILING HEIGHT

Measure the ceiling height in the location you will mount your Showcase Kit.

### STEP 4: ASSEMBLE TELESCOPIC BASE & INSERTS

Slide the 4ft insert into the 7ft hollow base, and prepare to place the first post into your desired mounting location.

### STEP 5: PLUMB FRAME SYSTEM

Anchor the Base to the floor (using appropriate anchors), use a ladder to extend the Insert to the ceiling and plumb using two magnetic levels and mark holes. Now anchor the Insert to the ceiling (using appropriate anchors). Measure out  $36\frac{1}{4}$  inch (Figure 1) and place your second Base & Insert (outside to outside) Repeat steps 1-3. Once completed, place the locking hex bolts into the holes located at the top of the bases.

**PRO TIPS:** When combining two or more Showcase Kits, please rotate the Base & Insert's feet 90 degrees from the orientation shown in Figure 1 for a seamless fit between kits.

### STEP 6: ASSEMBLE RACKS

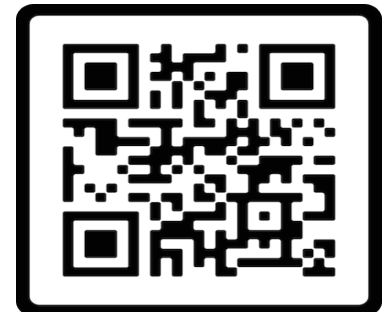
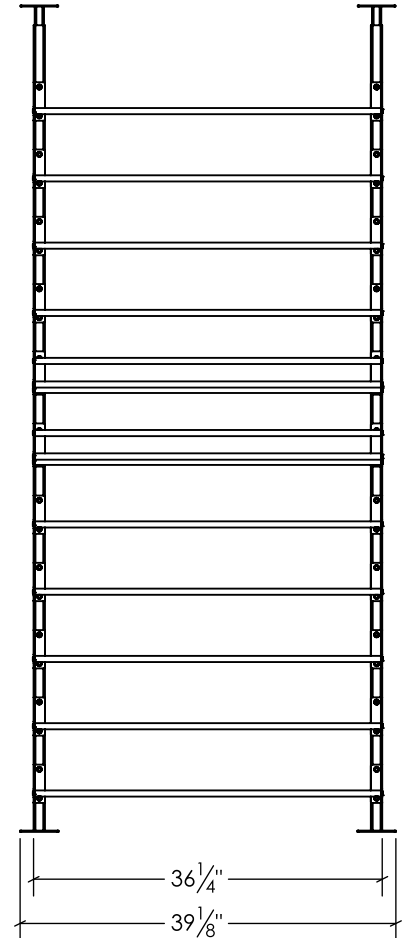
Each unique racking system on the Showcase Series consists of side brackets, 3ft rods, & allen bolts. Line up end of rod to the rod mounting hole and screw in a 4mm allen bolt (hand tighten with 4mm allen wrench) Do Not Over Tighten. Repeat on both sides of all rods. Repeat these steps to build out all remaining racks

**IMPORTANT:** Please refer to each Rod Assembly Guide for the proper order of rod installation.

**SEE NEXT PAGE FOR CONTINUED INSTALLATION STEPS.**



\*FIGURE 1



## INSTALLATION STEPS CONTINUED

### **STEP 7: ATTACH THE RACKS TO THE SHOWCASE FRAME**

Using a tape measure, and referring to the provided clearance guide (next page) measure 3 inches from top of the bottom Showcase Frame. Clamp one end of the rack at the 3-inch mark flush with outside of Frame, place a 4 ft level on the rack bracket and clamp the opposite end of rack flush with outside of frame when level. Use a center punch to mark desired post mounting location, (ensures screws do not dance.) Wear safety glasses and drill the 10mm hex self-drilling screw into the mounting hole. Repeat process with desired measurement between each rack.

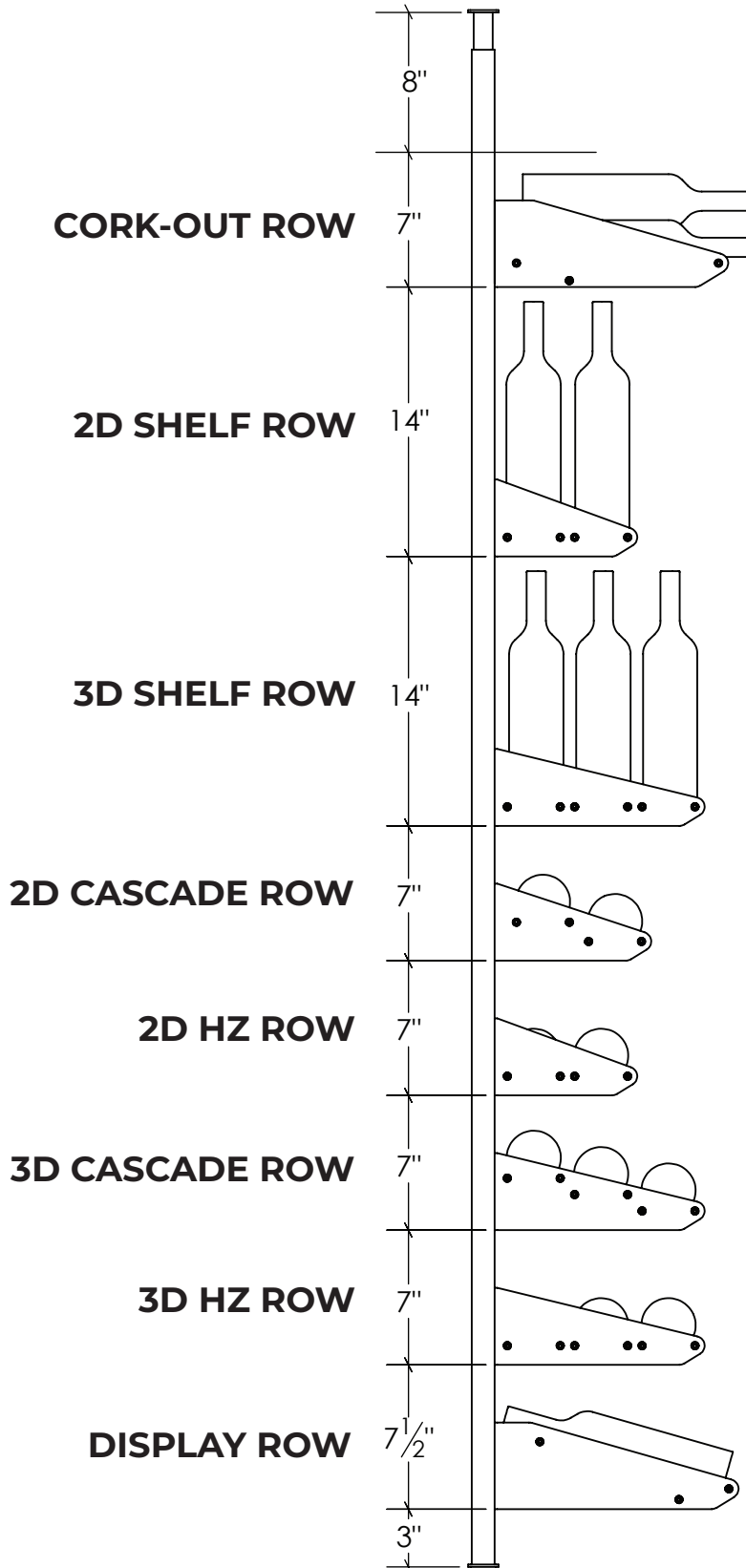
**PRO TIPS:** Use a 3-inch spacer, & center punch for quicker installation.

### **STEP 8: ADD WINE BOTTLES & ENJOY!**

**SEE NEXT PAGES FOR RACK CLEARANCE & ROD ASSEMBLY GUIDES**

# SHOWCASE SERIES

## CLEARANCE GUIDE



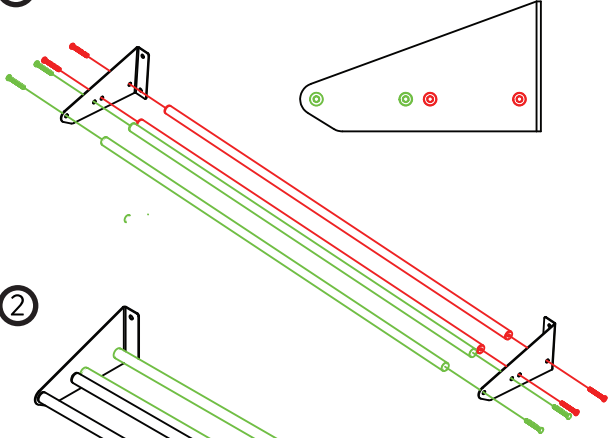
# SHOWCASE SERIES

## ROD ASSEMBLY GUIDE

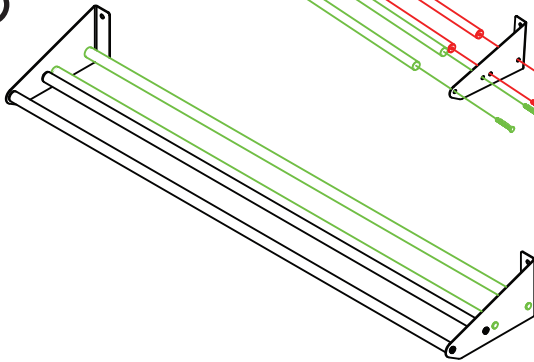


### HORIZONTAL ROW 2D

①

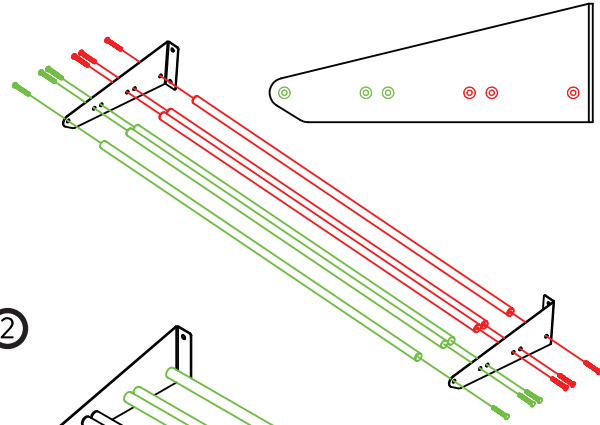


②

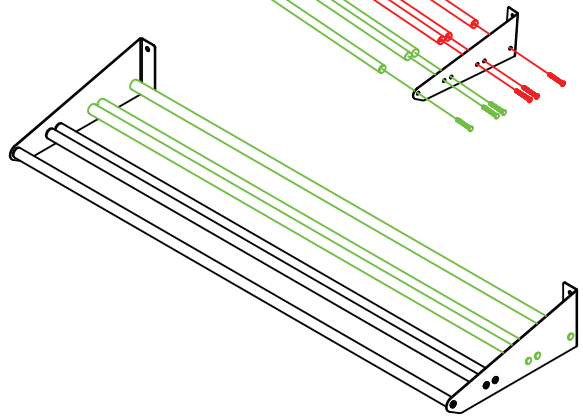


### HORIZONTAL ROW 3D

①



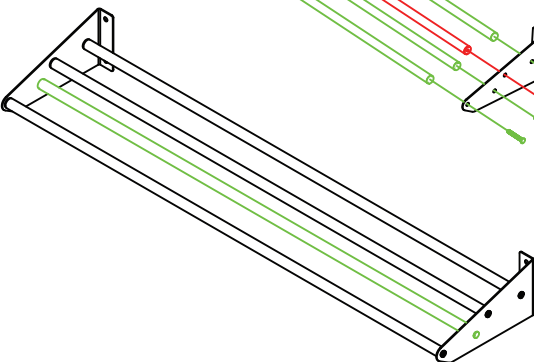
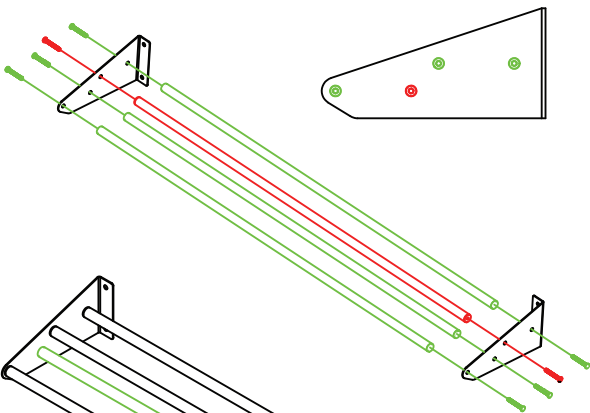
②



### 2D CASCADE ROW

①

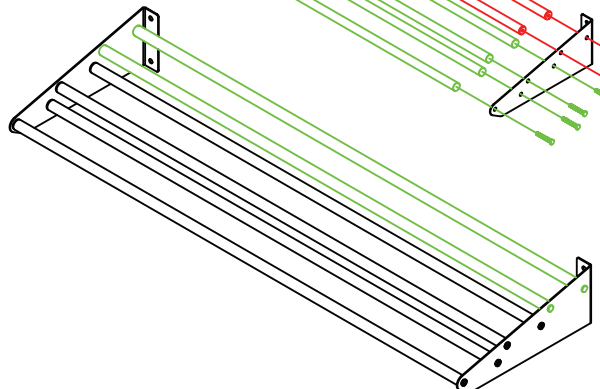
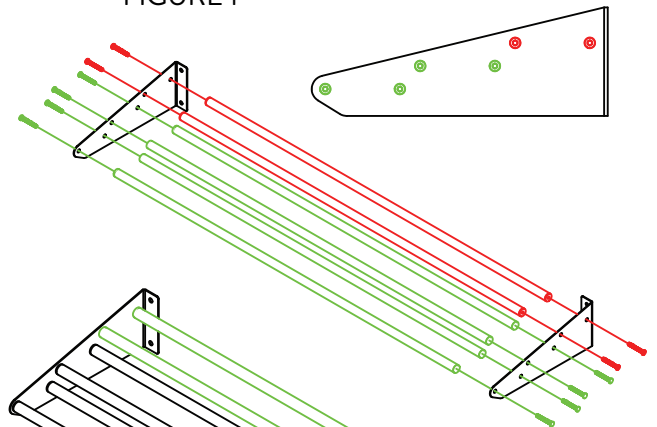
\*FIGURE 1



### 3D CASCADE ROW

①

\*FIGURE 1

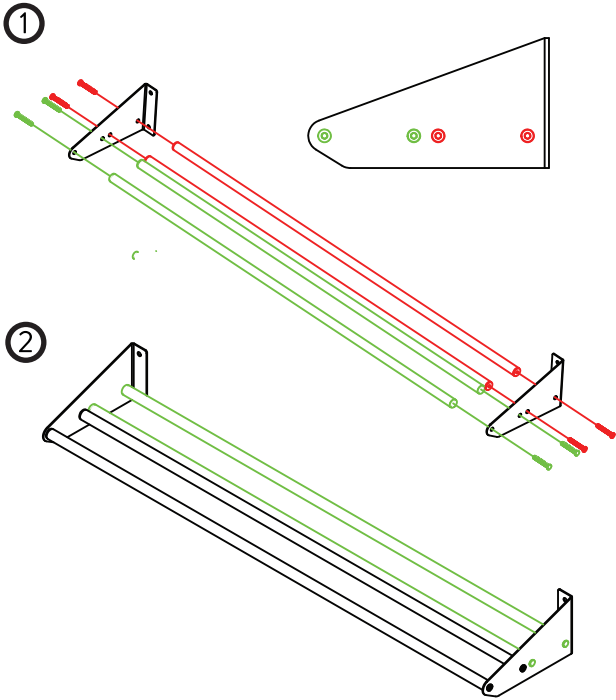


# SHOWCASE SERIES

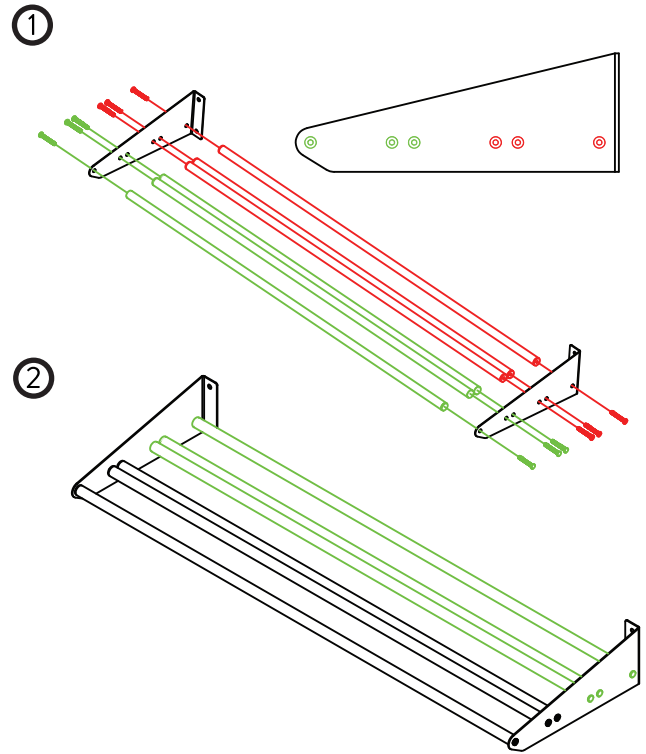
## ROD ASSEMBLY GUIDE



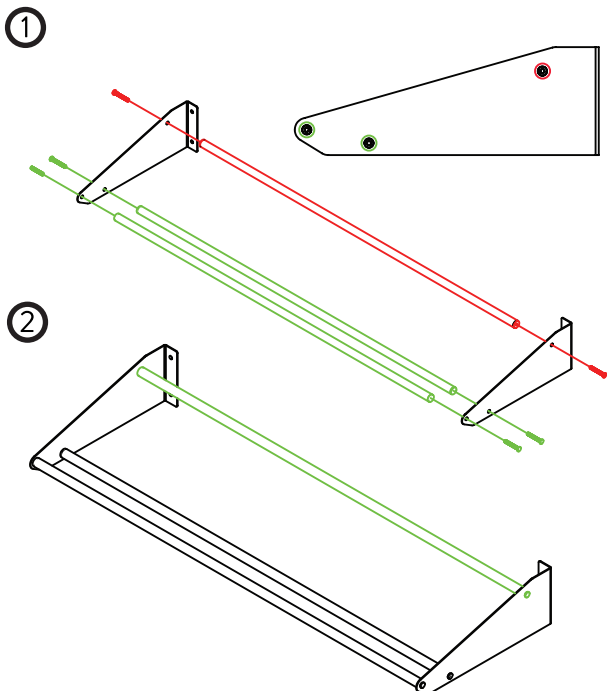
### SHOWCASE SHELF ROW 2D



### SHOWCASE SHELF ROW 3D



### DISPLAY ROW



### CORK-OUT ROW

