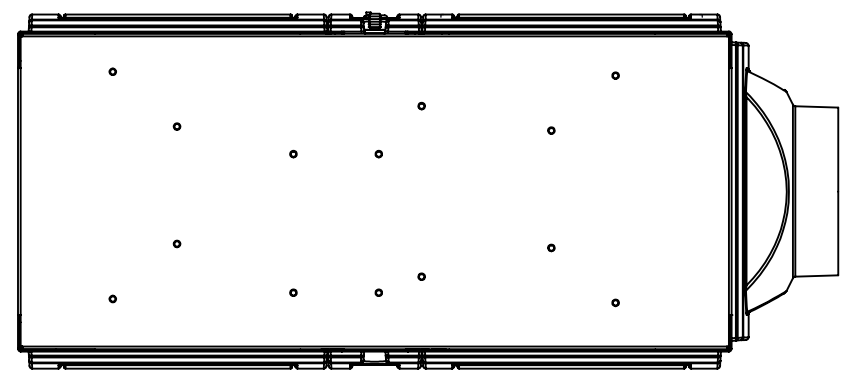
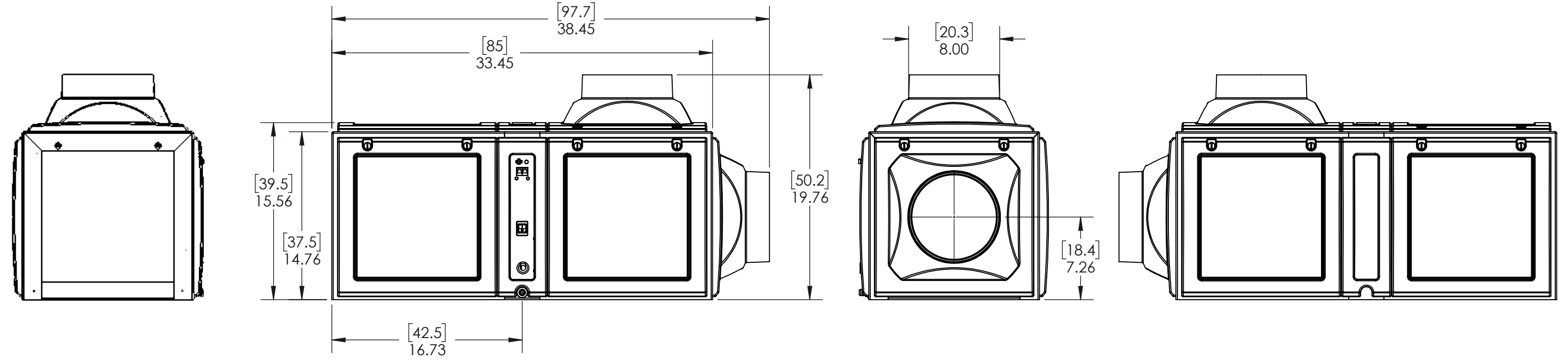
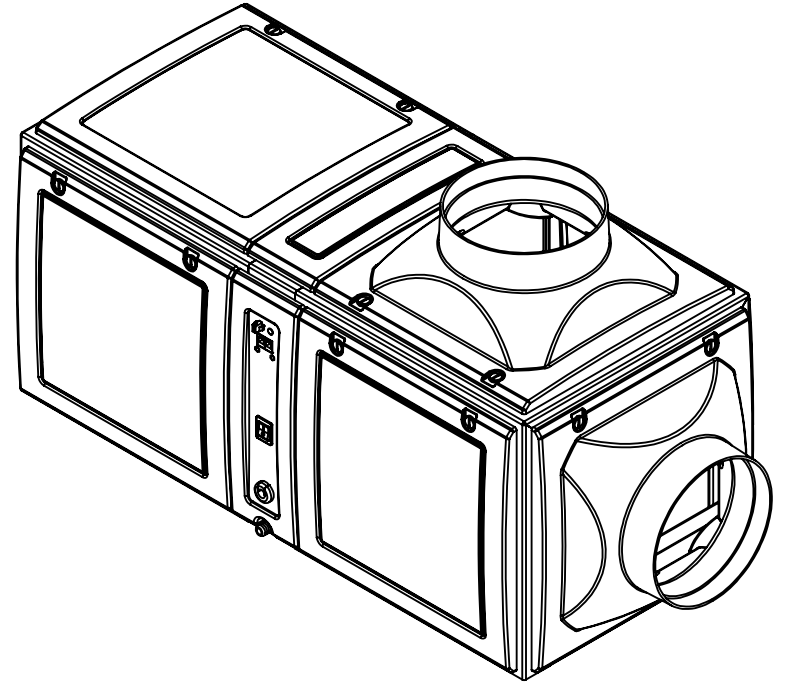
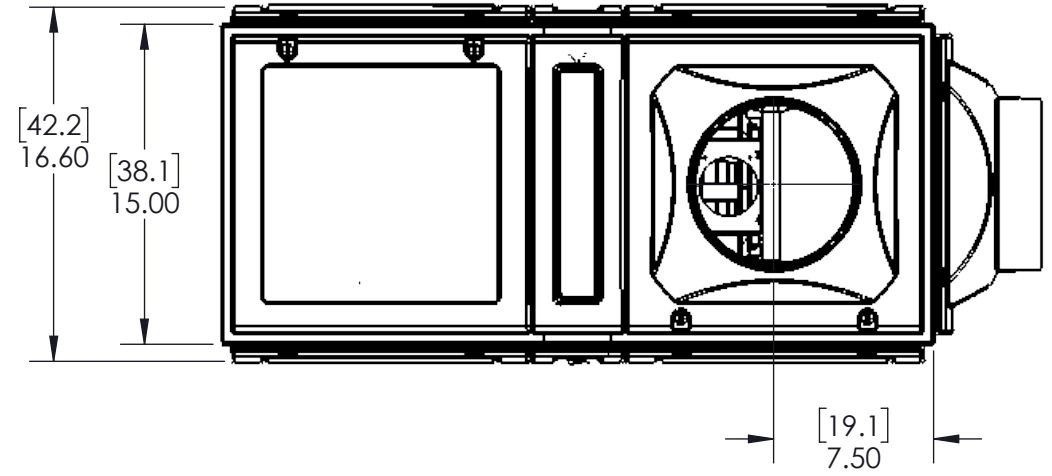


8 7 6 5 4 3 2 1

D
C
B
A

D
C
B
A



8 7 6 5 4 3 2 1

DIMENSIONS SHOWN WITH [] ARE CM

UNLESS OTHERWISE SPECIFIED:	DRAWN	NAME	DATE
DIMENSIONS ARE IN INCHES	MAF	MAF	03/05/21
TOLERANCES:	CHECKED		
FRACTIONAL ± 1/16	ENG APPR.		
ANGULAR: MACH ± 2 BEND ± 2	MFG APPR.		
TWO PLACE DECIMAL ± .03			
THREE PLACE DECIMAL ± .015			
INTERPRET GEOMETRIC TOLERANCING PER:	MATERIAL		
COMMENTS:	MODEL:		
-			
DO NOT SCALE DRAWING			



TITLE: 1/4 TON DUCTED AIR COOLED NEXT GEN WG		
SIZE B	DWG. NO. 99H0250-20 PATENT	REV ~
SHEET 1 OF 2		