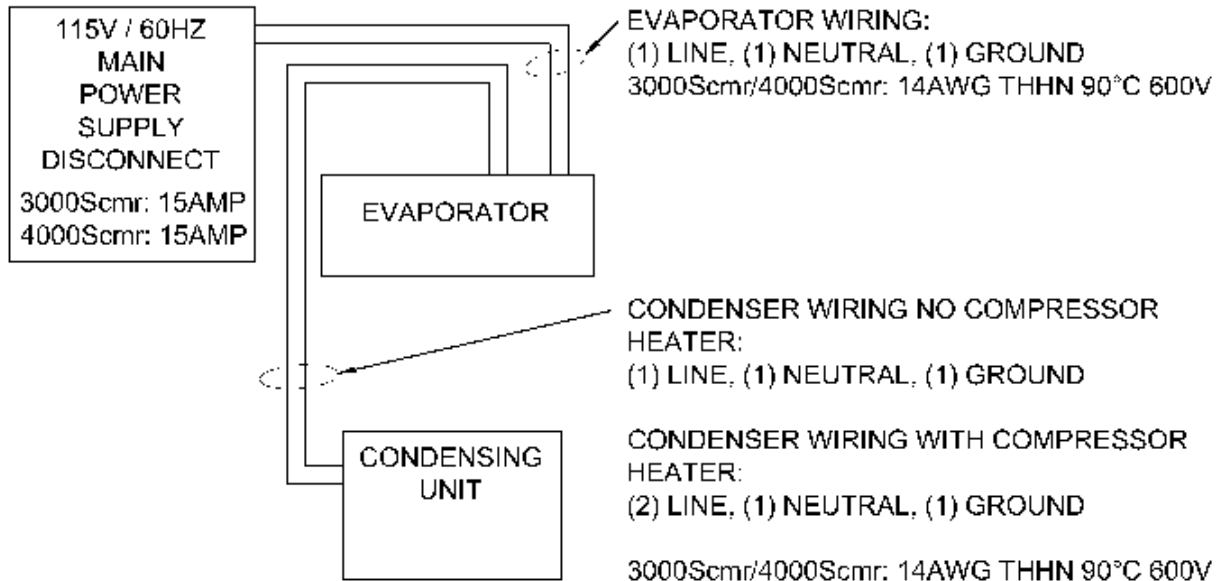


# Wiring Diagram: Single Power / Electronic Control

3000-4000  
Scmr

## 3000-4000Scmr SPLIT SYSTEM ELECTRONIC CONTROL POWER WIRING



### NOTES:

1. FOLLOW ALL LOCAL AND NATIONAL CODES
2. USE A DEDICATED NON-GFI CIRCUIT BREAKER
3. THIS LABEL CAN BE REMOVED

1728ER\_R00

**Note:** Refer to Owner's Manual for detailed wiring schematics by model and configuration.