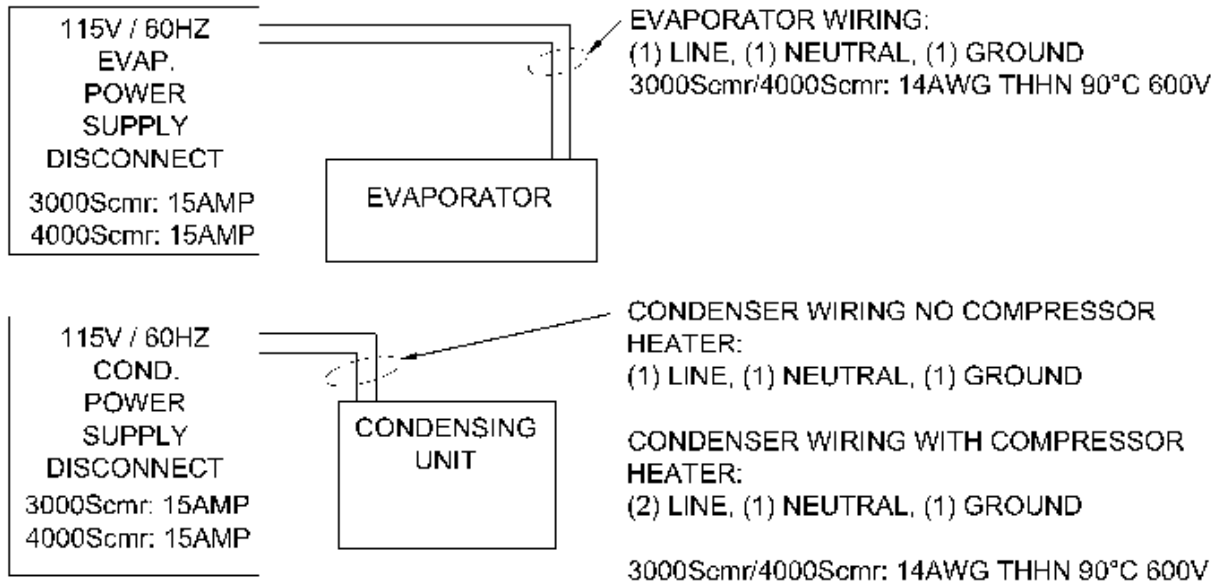


Wiring Diagram: Dual Power / Valve Control

3000-4000
Scmr

3000-4000Scmr SPLIT SYSTEM VALVE CONTROL POWER WIRING



NOTES:

1. FOLLOW ALL LOCAL AND NATIONAL CODES
2. USE A DEDICATED NON-GFI CIRCUIT BREAKER
3. THIS LABEL CAN BE REMOVED

1728FR_R00

Note: Refer to Owner's Manual for detailed wiring schematics by model and configuration.