

VintageView[®]

WINE STORAGE SYSTEM

Island Display Rack (IDR) Assembly Instructions

Wine Master Cellars • 2000 S. Dahlia Street, Unit 300, Denver, CO 80222 • phone: 866.650.1500 • fax: 866.650.1501

Please feel free to contact us regarding the assembly of this product.

Each IDR3 or IDR4 kit contains:



- | | |
|--|---|
| <ul style="list-style-type: none"> 1. 6 WS33 or WS43 VintageView[®] racks (bottles not included) 2. 2 IDR3 or IDR4 Base Uprights,
IDR-BX only contains 1 Upright 3. 4 Leveling Footer pads with 1 nut and 1 washer each,
IDR-BX only contains 2 Footer Pads 4. 6 PCS 1-1/2"X1-1/2" Plastic Endcaps,
IDR-BX contains 3 Endcaps | <ul style="list-style-type: none"> 5. 12 Self-tapping screws 6. 4 ea. 5/16"X 3/4" Nuts, Bolts and Washers
IDR-BX only contains 2 sets 7. 3 Cross Rails (IDR-CR3) 8. 18 PCS #10X1" Bolts with Nuts 9. 2 Sides for IDR-PR (Presentation Rack) 10. 3 #10X1/2' Bolts with Nuts 11. 42 Plastic Mounting Hole Covers |
|--|---|

Each IDR-EC kit contains:



- | | |
|--|--|
| <ul style="list-style-type: none"> 1. 2 WS31 or WS41 VintageView[®] racks (bottles not included) 2. 3 End Cap Rails | <ul style="list-style-type: none"> 3. 6 Self-Drilling Screws with Washers 4. 12 Self-Drilling Screws |
|--|--|

Required Tools



- 1. 2 x 12mm Open End Wrench
- 2. 14mm Open End Wrench
- 3. #2 Phillips Head Screwdriver
(Drill with adjustable torque clutch recommended)
- 4. 8mm nut driver (supplied in IDR-AK)
- 5. Rack Alignment tool (supplied in IDR-AK)

IDR Assembly Instructions

1. Assemble Base Uprights

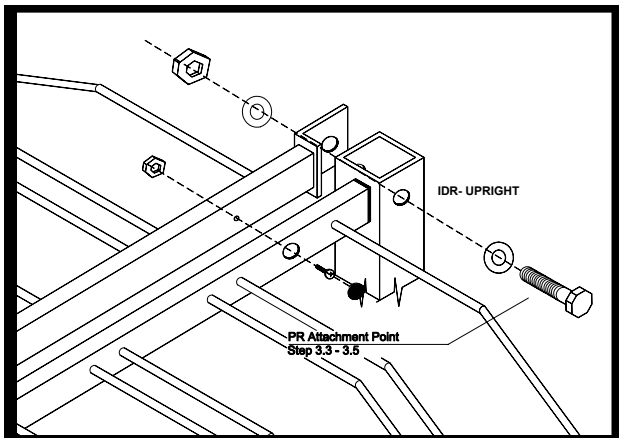
- 1.1. Lay out all pieces of the IDR rack to ensure all required components were received.
- 1.2. Thread one nut onto each footer pad stem.
- 1.3. Place one washer onto each footer pad stem.
- 1.4 Thread footer pads into bottom of base upright (IDR-B).

2. Attach Cross-rails

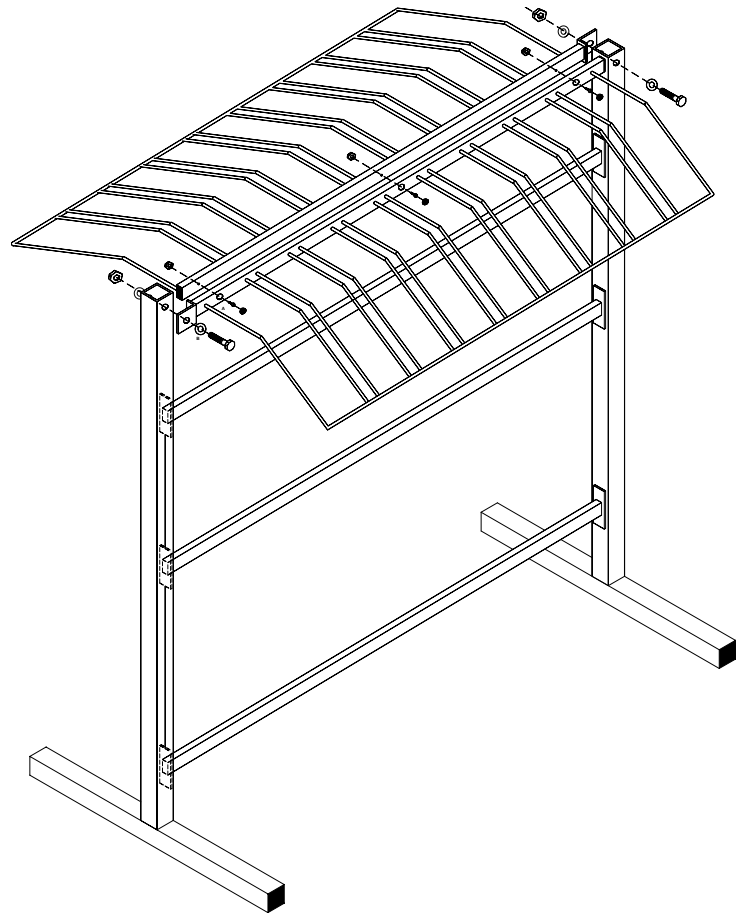
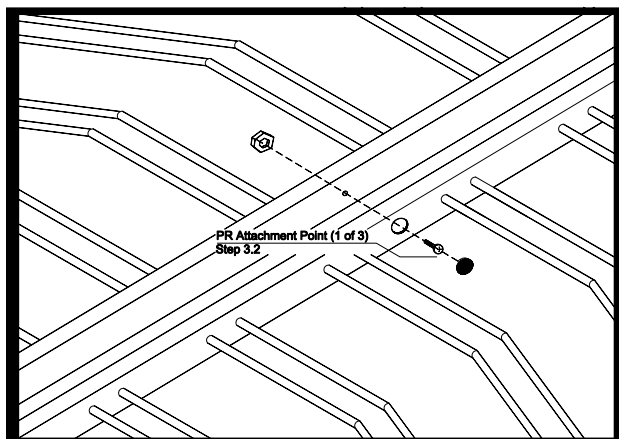
- 2.1. Lay one base upright flat on the ground
- 2.2. Remove one cross-rail (IDR-CR3) from all packaging and line up the elongated mounting holes on the cross-rail with the set of predrilled holes on the base upright (IDR-B) nearest the bottom.
- 2.3. Using 2 of the supplied self-tapping screws, attach the cross-rail to the upright. (Note: It is recommended that the screws are not fully tightened at this point to allow for slight adjustment of the cross-rails at a later point.)
- 2.4. Repeat steps 2.2 and 2.3 for the other 2 cross-rails.
- 2.5. Stand the rack upright and attach the free end of the cross-rails to the 2nd base upright.

3. Attach Presentation Rack

- 3.1. Remove both sides of the presentation rack (IDR-PR) from packaging and place the racks back-to-back. Be sure to align the mounting holes on the main strip.
- 3.2. Using three #10 X 1/2" Phillips head bolts and nuts, fasten the two frames together through the predrilled mounting holes.



- 3.3. Hold the assembled IDR-PR in place at the top of the uprights, aligning the holes in the uprights and the mounting brackets.
- 3.4. Place a washer on a 5/16" X 3/4" bolt and insert through the holes, fastening in place with a nut on the inside of the upright tube.
- 3.5. Tighten the bolt and repeat the process for the opposite side



4. Prepare Frame for WS Series Racks

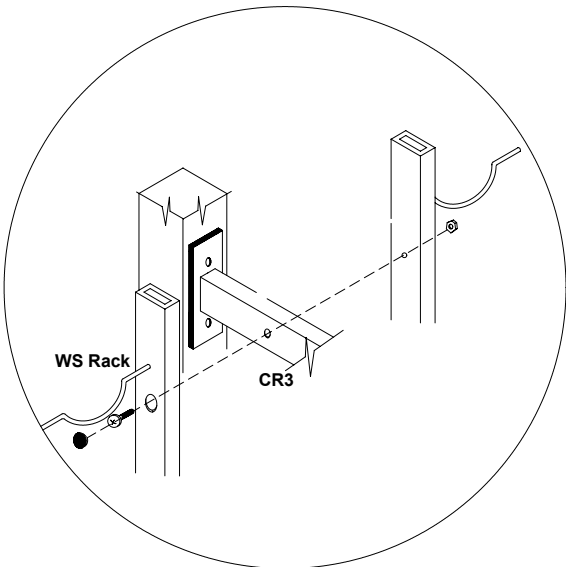
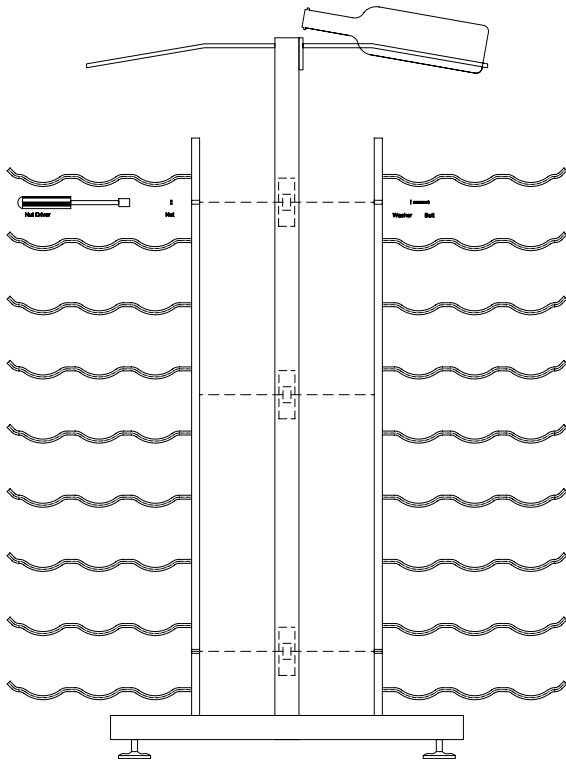
- 4.1. Remove 2 WS33 or WS43 racks from outer packaging.
- 4.2. Check cross-rail alignment.
 - 4.2.1. Pick up either the base or neck side of one rack and insert the alignment tool through top mounting hole
 - 4.2.2. Hold the rack up to either end of the cross-rails, inserting the alignment tool through the corresponding hole in the cross rail.
 - 4.2.3. Check that the mounting holes on the rack line up with the corresponding holes in the cross-rail.
 - 4.2.4. Adjust the cross rails up or down to properly align.
 - 4.2.5. Repeat steps 4.2.2 through 4.2.4 for the opposite end of the cross rails.
- 4.3. Fully tighten cross-rail screws. (Note: DO NOT OVER TIGHTEN, AS YOU MAY STRIP THE THREADS).

5. Attach WS Series racks to the frame

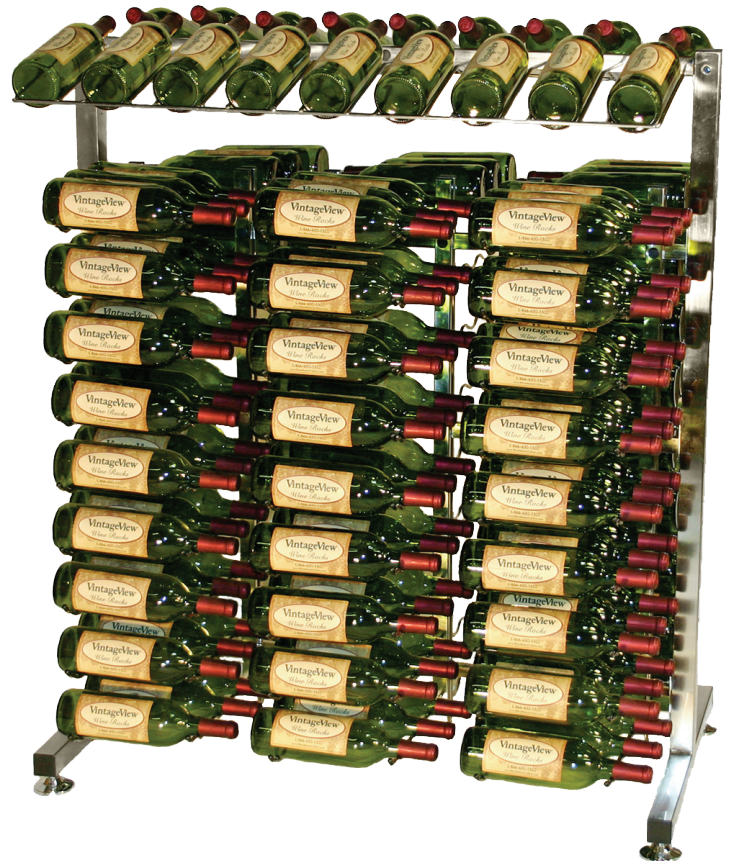
- 5.1. Pick up either 2 neck or 2 base strips.
- 5.2. Insert the alignment tool through the top mounting hole of one strip.
- 5.3. Move the rack into place at either the far left or far right, inserting the alignment tool through the corresponding cross-rail holes.
- 5.4. Move the other strip into place on the opposite side of the frame using the alignment tool as a guide.
- 5.5. Fasten the racks into place using 3 Phillips head bolts and nuts and tighten firmly (see next page for images).

IDR Assembly Instructions (cont.)

Assembled IDR:



Assembled IDR loaded with bottles:



5.6. Repeat steps 6.1 through 6.5 alternating between neck and base strips

6. Make Final Adjustments

6.1. Move the IDR into place and adjust the footer pads to level the rack by turning the shaft either clockwise or counter-clockwise.

6.2. Lock the footer pads in place by tightening the nut up against the base upright.

6.3. Insert square plastic caps into top of uprights for a finished look.

6.4. Place all round plastic caps in mounting holes on racks.

6.5. Load the rack and enjoy the VintageView®!!!!